



EXPLORER

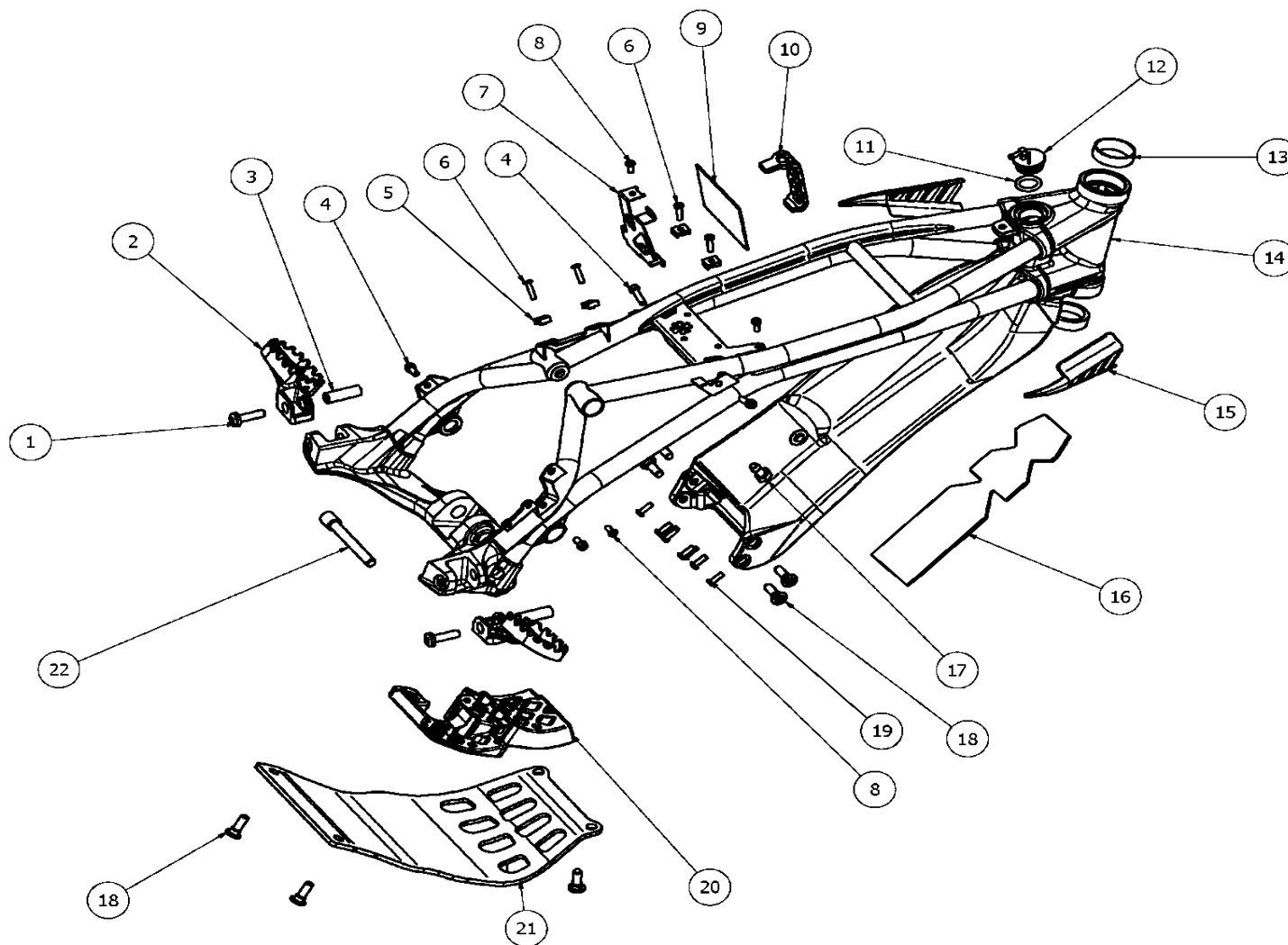
DESPIECE / PART LIST

2015

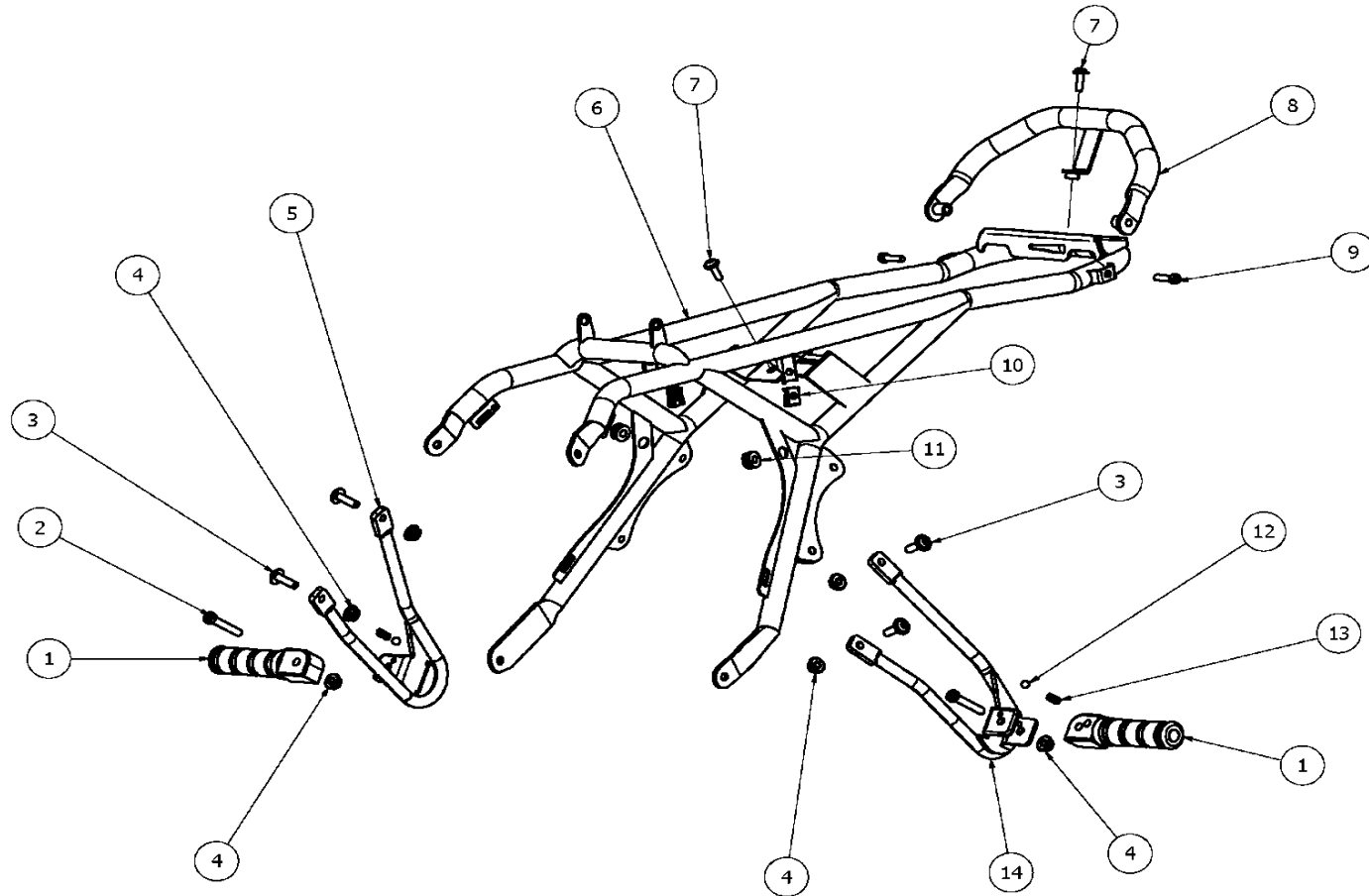


Revisión 00 2014/09/01

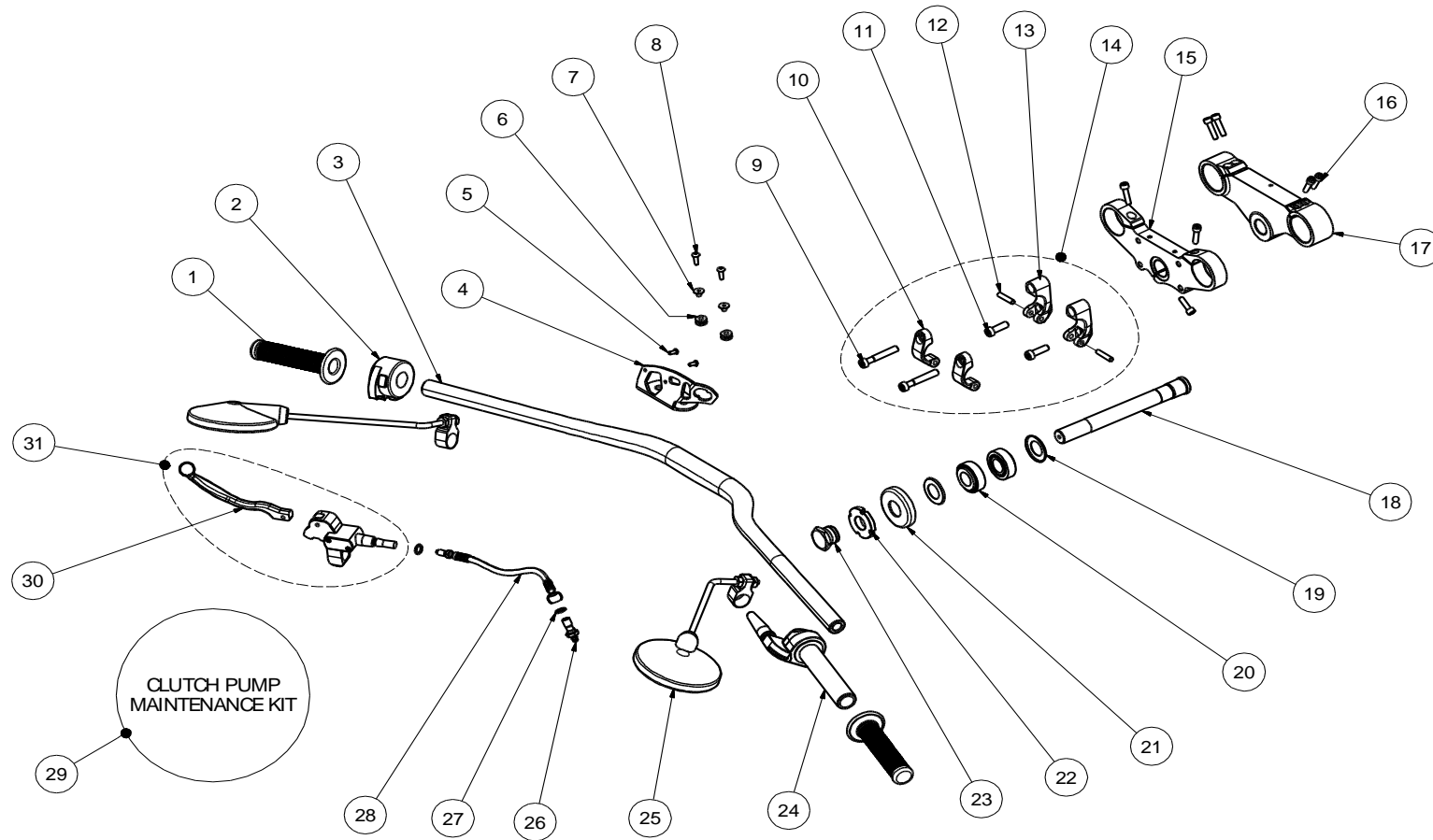




| num | description                | descripción                                | 250 | 280        | cant |
|-----|----------------------------|--|-----|------------|------|
| 1   | TORX M8x30                 | TORX 8X30 CABOTA ABOMBADA TUFLOCK PASO 125 |     | 083012BG   | 2    |
| 2   | FOOTREST KIT               | CTO. ESTRIBOS PILOTO EXPLORER 2014         |     | 1500010514 | 1    |
| 3   | FOOTREST SCREW             | PASADOR ESTRIBO PILOTO TR280I 2011         |     | 1511010211 | 2    |
| 4   | TORX M6x16                 | TORX BAJO 6X16 PASO 100                    |     | 061610AB   | 4    |
| 5   | NUT CLIP M5                | TUERCA GRAPA M5 PASO 0.8                   |     | 0508LA     | 6    |
| 6   | TORX M5x20                 | TORX 5X20 BOMB. ARAND.                     |     | 052008BB   | 4    |
| 7   | ECU SUPPORT                | SOPORTE ECU TR280i 2013                    |     | 5221030213 | 1    |
| 8   | TORX M5X12                 | TORX M5X12 PASO 0.8 CAB. ABOMBADA ARAND.   |     | 051208BB   | 3    |
| 9   | ECU HEATSHIELD PROTECTOR   | PROTECTOR TÉRMICO ECU                      |     | 5240030213 | 1    |
| 10  | ECU SUPPORT BELT           | GOMA SUJECION ECU                          |     | 5230030512 | 1    |
| 11  | O-RING 22x4                | TORICA D. 22X4 FKM75                       |     | 224000TD   | 1    |
| 12  | ALUMINUM FUEL TANK CAP     | TAPON DEPOSITO ALUMINIO EXPLORER 2012      |     | 9435010512 | 1    |
| 13  | STEERING BEARING           | RODAMIENTO URBXA 32004                     |     | 32004QB    | 2    |
| 14  | FRAME                      | CHASIS EXPLORER 2014                       |     | 1000010514 | 1    |
| 15  | FRAME TRIMS SET            | CTO. BRANQUIAS TR 280I FACTORY 2011        |     | 3000040211 | 1    |
| 16  | AIR BOX FILTER FOAM        | PROTECTOR CAJA FILTRO TR280I 2011          |     | 5030040211 | 1    |
| 17  | FUEL TANK SPIKE            | ESPIGA DEPOSITO                            |     | 9152010512 | 1    |
| 18  | SCREW M8x24                | TORX CENTRADOR 8X24 PASO 125               |     | 082412HA   | 8    |
| 19  | SCREW M5x16                | TORX 5X16 PASO 0.8 INOX.                   |     | 051608AA   | 8    |
| 20  | CRANKCASE RUBBER PROTECTOR | GOMA PROTECTOR CARTER TR280I 2011          |     | 1460010211 | 1    |
| 21  | ENGINE PROTECTOR PLATE     | PROTECTOR CARTER TR280I 2011               |     | 1450010211 | 1    |
| 22  | ENGINE-FRAME SPECIAL SCREW | TORNILLO MOTOR INF. 10x80                  |     | 108012HA-R | 1    |

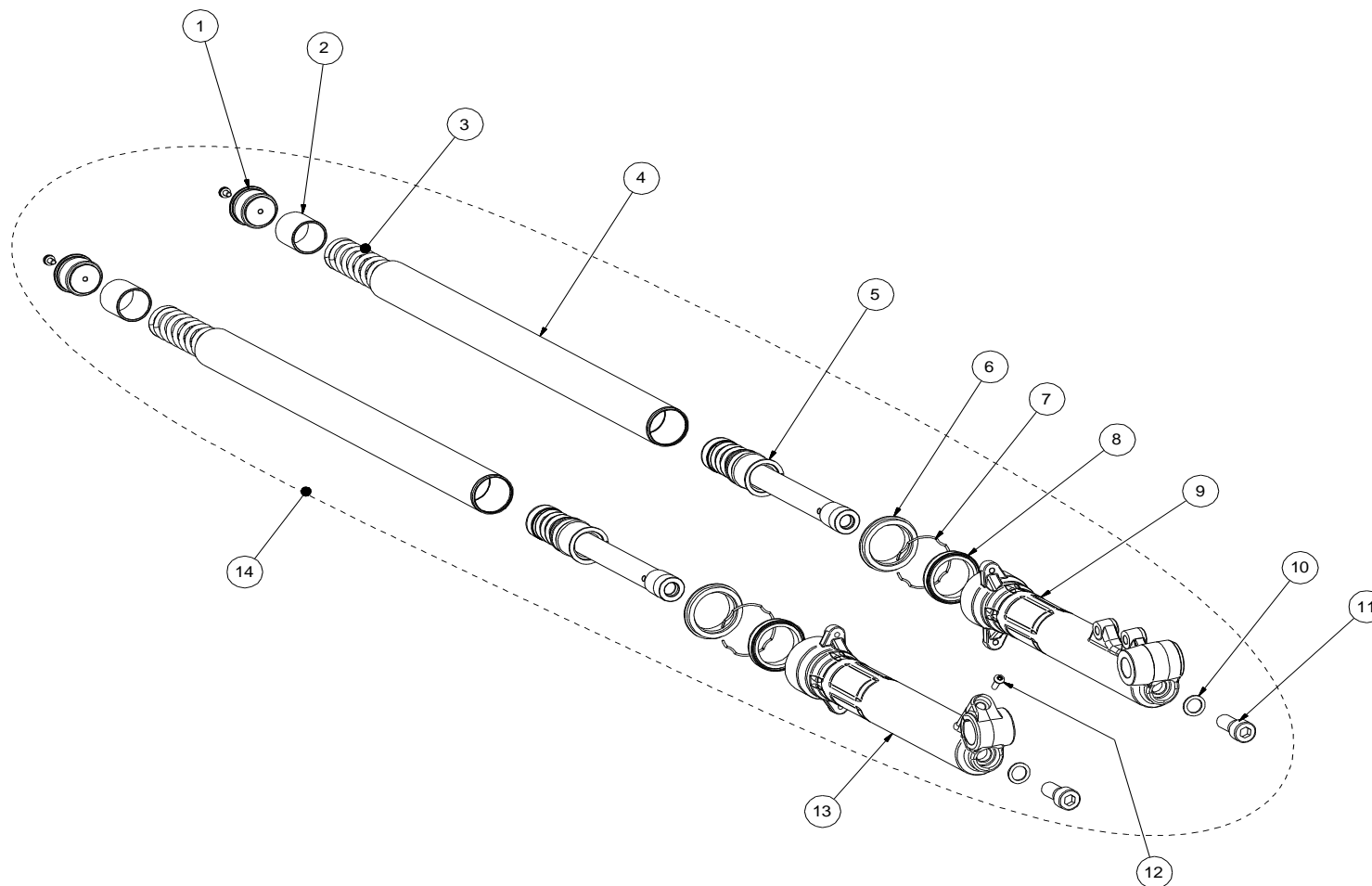


| num | description                 | descripción                                | 250 | 280        | cant |
|-----|-----------------------------|--|-----|------------|------|
| 1   | REAR FOOTREST KIT           | CTO. ESTRIBOS TRAS. EXPORER 2012           |     | 1800010512 | 2    |
| 2   | TORX M6x35                  | TORX 6X35 ISO 14583                        |     | 063510BA   | 2    |
| 3   | TORX M6x20                  | TORX 6X20                                  |     | 062010BB   | 4    |
| 4   | M6 NUT                      | TUERCA M6                                  |     | 0610KJ     | 6    |
| 5   | REAR FOOTREST SUPPORT RIGHT | SOPORTE DRCHO. ESTRIBO TRAS. EXPLORER 2012 |     | 1512010512 | 1    |
| 6   | SUBFRAME                    | SUBCHASIS EXPLORER 2014                    |     | 1300040514 | 1    |
| 7   | TORX M5x16                  | TORX M5x16                                 |     | 051608BB   | 2    |
| 8   | PASSENGER HOLDER            | ASIDERO EXPLORER                           |     | 1560010512 | 1    |
| 9   | TORX M5x20                  | TORX M5x20                                 |     | 052008AA   | 2    |
| 10  | NUT CLIP M5                 | TUERCA GRAPA M5 PASO 0.8                   |     | 0508LA     | 2    |
| 11  | SILENBLOCK                  | SILENBLOCK MULTIFUNCION TR280I 2011        |     | 6130030211 | 2    |
| 12  | REAR FOOTREST BALL          | BOLA PALANCA ARRANQUE TR280I 2011          |     | 7440020211 | 2    |
| 13  | REAR FOOTREST SPRING        | MUELLE PALANCA ARRANQUE TR280I 2011        |     | 7430020211 | 2    |
| 14  | REAR FOOTREST SUPPORT LEFT  | SOPORTE IZDO. ESTRIBO TRAS EXPLORER 2012   |     | 1517010512 | 1    |

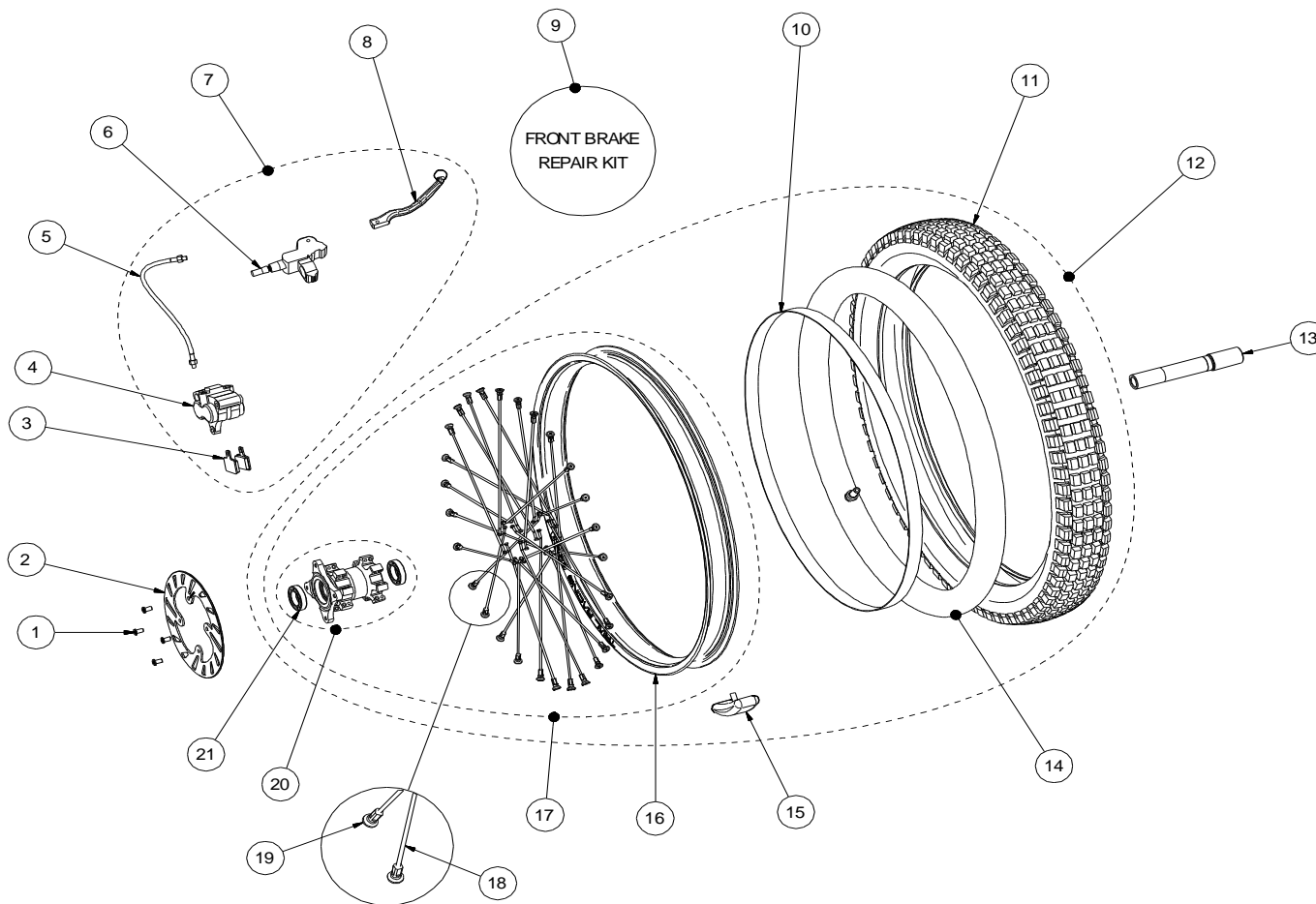


| num | description                         | descripción                                    | 250 | 280          | cant |
|-----|-------------------------------------|--|-----|--------------|------|
| 1   | HANDLEBAR GRIPS                     | CTO. EMPUÑADURAS TR280I 2011                   |     | 2520010211   | 2    |
| 2   | LIGHT HORN SWITCH                   | CONMUTADOR LUCES TR280I 2011                   |     | 2400030211   | 1    |
| 3   | HANDLEBAR EXPLORER                  | MANILLAR EXPLORER                              |     | 2510010512   | 1    |
| 4   | MULTIFUNCTION SUPPORT PLATE         | SOPORTE MULTIFUNCION EXPLORER 2014             |     | 6100030514   | 1    |
| 5   | TORX 4X10                           | TORX 4X10 PASO 0.7 CAB. ABOMBADA ECO FIX INOX. |     | 041007BC     | 2    |
| 6   | MULTIFUNCTION SUPPORT SILENBLOCK    | SILENBLOCK MULTIFUNCION TR280I 2011            |     | 6130030211   | 2    |
| 7   | MULTIFUNCTION SUPPORT PLATE BUSHING | CASQUILLO SOPORTE MULTIFUNCION TR280I 2011     |     | 6120030211   | 2    |
| 8   | TORX 5X16                           | TORX 5X16 PASO 0.8 INOX.                       |     | 051608AA     | 2    |
| 9   | TORNILLO M8X50                      | M8X50 SCREW                                    |     | T0318050     | 2    |
| 10  | UPPER HANDLEBAR CLAMP               | BRIDA MANILLAR SUPERIOR                        |     | BT280414012  | 2    |
| 11  | TORNILLO M8X25                      | M8X25 SCREW                                    |     | T0318025     | 2    |
| 12  | HANDLEBAR CLAMP PIN                 | PASADOR 6X30 BRIDAS MANILLAR                   |     | 0630YA       | 2    |
| 13  | LOWER HANDLEBAR CLAMP               | BRIDA MANILLAR INFERIOR                        |     | BT280414013  | 2    |
| 14  | HANDLEBAR CLAMP SET                 | CONJUNTO BRIDAS MANILLAR                       |     | BT280414012C | 1    |
| 15  | UPPER CLAMP                         | BRIDA SUSPENSION SUPERIOR TR280I 2011          |     | 2600010211   | 1    |
| 16  | TORX 6X20 INOX.                     | TORX 6X20 INOX                                 |     | 062010AA     | 7    |
| 17  | LOWER CLAMP                         | BRIDA SUSP. INFERIOR TR 280I 2012              |     | 2700010212   | 1    |
| 18  | STEERING AXLE                       | EJE DIRECCIÓN                                  |     | 2610010211   | 1    |
| 19  | STEERING AXLE BEARING SEAL          | RETÉN RODAMIENTO DIRECCIÓN                     |     | 2620010213   | 2    |
| 20  | STEERING BEARING                    | RODAMIENTO URBXA 32004                         |     | 32004QB      | 2    |
| 21  | STEERING BEARING DUST COVER         | GUARDAPOLVO DIRECCION TR280I 2011              |     | 9050040211   | 1    |
| 22  | STEERING NUT                        | TUERCA AJUSTE DIRECCIÓN                        |     | 2620010211   | 1    |
| 23  | TOP NUT STEERING STEM               | TUERCA EJE DIRECCIÓN                           |     | 2630010211   | 1    |
| 24  | HANDLE THROTTLE                     | MANDO DE GAS TR280I 2011                       |     | 2560010211   | 1    |
| 25  | REAR VIEW MIRROR                    | RETROVISOR E-6 TR280I 2011                     |     | 1610010211   | 2    |
| 26  | HYDRAULIC CLUTCH RACORD             | RACORD ALUM. M10 SANGRADOR EMBRAGUE            |     | 2552010211   | 1    |
| 27  | WASHER                              | ARANDELA 10X14X1,5 ALUMINIO                    |     | 101415NH     | 2    |
| 28  | CLUTCH LINE                         | LATIGUILLO EMBRAGUE TR280I 2011                |     | 2550010211   | 1    |
| 29  | CLUTCH PUMP MAINTENANCE KIT         | KIT MANTENIMIENTO BOMBA EMBRAGUE               |     | 2546010211   | 1    |
| 30  | CLUTCH LEVER                        | LEVA EMBRAGUE                                  |     | 2542010211   | 1    |
| 31  | CLUTCH LEVER / PUMP KIT             | BOMBA EMBRAGUE CON MANETA TR280I 2011          |     | 2540010211   | 1    |

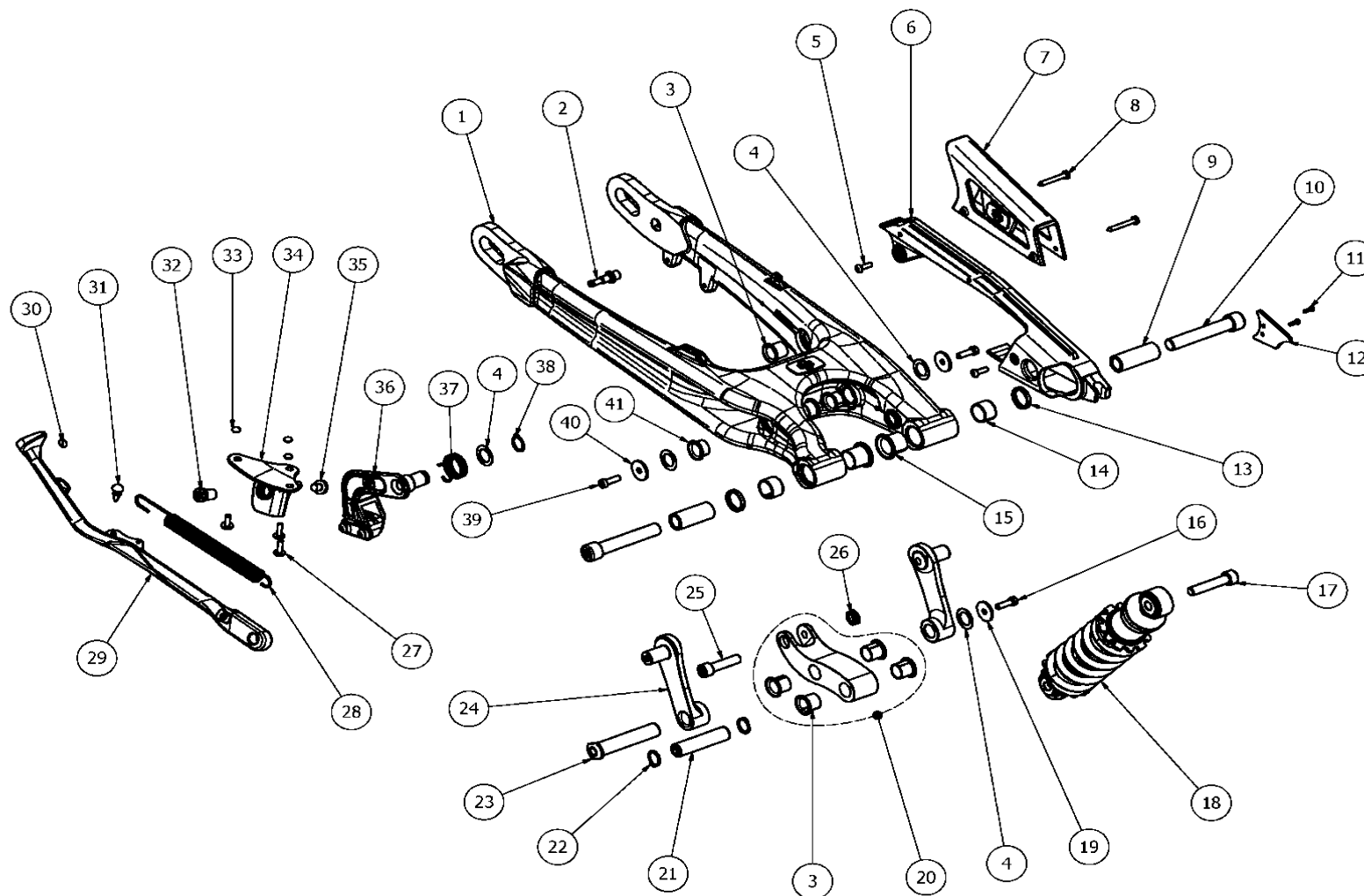




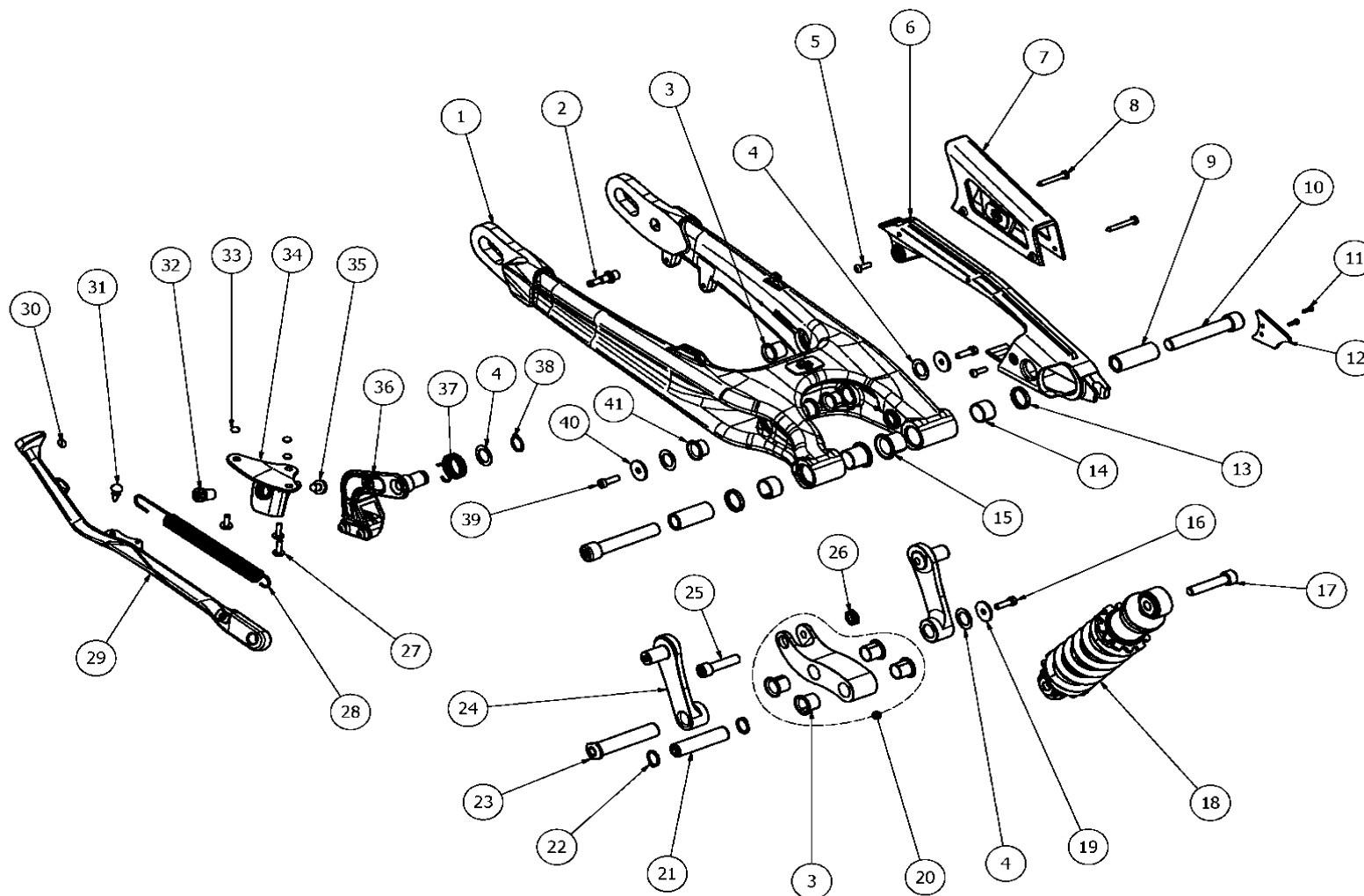
| num | description              | descripción                  | 250 | 280             | cant |
|-----|--------------------------|------------------------------|-----|-----------------|------|
| 1   | FORK CAP ASSY            | CTO. TAPON                   |     | BT20120GG-CDD-1 | 2    |
| 2   | PRELOAD SPACER           | DISTANCIADOR PRECARGA        |     | BT20155GG-CDD-1 | 2    |
| 3   | SPRING                   | MUELLE                       |     | BT20170GG-CDD-1 | 2    |
| 4   | RIGHT FORK STANCHION     | BARRA HORQUILLA              |     | BT20110GG-CDD-1 | 2    |
| 5   | HYDRAULIC CARTRIDGE ASSY | CARTUCHO HIDRAULICO COMPLETO |     | BT20220GG-CDD-1 | 2    |
| 6   | DUST SEAL                | RASCADOR                     |     | BT20130GG-CDD-1 | 2    |
| 7   | STOP RING                | ANILLO SEEGER                |     | BT20135GG-CDD-1 | 2    |
| 8   | OIL SEAL                 | RETEN                        |     | BT20140GG-CDD-1 | 2    |
| 9   | LEFT OUTER TUBE          | BOTELLA IZQUIERDA            |     | BT20105GG-CDD-1 | 1    |
| 10  | COPPER WASHER            | ARANDELA COBRE               |     | BT20186GG-CDD-1 | 2    |
| 11  | SCREW                    | TORNILLO                     |     | BT20185GG-CDD-1 | 2    |
| 12  | SCREW                    | TORNILLO                     |     | BT20187GG-CDD-1 | 1    |
| 13  | RIGHT OUTER TUBE         | BOTELLA DERECHA              |     | BT20100GG-CDD-1 | 1    |
| 14  | OLLÉ FRONT FORK ASSY     | CONJUNTO HORQUILLA OLLÉ      |     | BT200002813     | 1    |



| num | description                 | descripción                                 | 250 | 280             | cant |
|-----|-----------------------------|---|-----|-----------------|------|
| 1   | FRONT WHEEL BRAKE DISK      | DISCO FRENO DEL. TR280I 2011                |     | 5400010211      | 1    |
| 2   | SCREW                       | TORX M6X12 PASO 100                         |     | 061210AA        | 4    |
| 3   | FRONT BRAKE PADS            | PASTILLAS FRENO DELANTERO                   |     | 7400010211      | 1    |
| 4   | FRONT BRAKE CALIPER         | PINZA DE FRENO DELANTERO Tri 2011           |     | 7200010211      | 1    |
| 5   | FRONT BRAKE LINE            | LATIGUILLO FRENO DELANTERO Tri 2011         |     | 7300010211      | 1    |
| 6   | FRONT WHEEL MASTER CYLINDER | BOMBA FRENO DELANTERO Tri 2011              |     | 7100010211      | 1    |
| 7   | FRONT WHEEL BRAKE KIT       | CTO. FRENO DELANTERO TR280I 2011            |     | 7000010211      | 1    |
| 8   | FRONT WHEEL BRAKE LEVER     | LEVA FRENO DELANTERO                        |     | 7320010211      | 1    |
| 9   | REPAIR KIT FRONT BRAKE SET  | KIT REPARACIÓN FRENO DELANTERO              |     | 7499010211      | 1    |
| 10  | FRONT RIMSTRIP              | BALONA LLANTA DELANTERA                     |     | 5615010211      | 1    |
| 11  | FRONT TYRE                  | NEUMÁTICO DELANTERO EXPLORER                |     | 5600010512      | 1    |
| 12  | FRONT WHEEL SET             | RUEDA DELANTERA EXPLORER                    |     | BT55000CT-DJM-1 | 1    |
| 13  | FRONT WHEEL SHAFT           | EJE RUEDA DELANTERA TR280I 2011             |     | BT53000GG-CDD-1 | 1    |
| 14  | FRONT INNER TUBE            | CÁMARA RUEDA DELANTERA Tri 2011             |     | N120000         | 1    |
| 15  | TYRE CLAMP                  | FRENO DE LLANTA DELANTERA                   |     | BE505002509     | 1    |
| 16  | FRONT RIM                   | LLANTA DELANTERA                            |     |                 | 1    |
| 17  | FRONT RIM ASSY              | CONJUNTO LLANTA DELANTERA                   |     | BT54000CT-CBN-1 | 1    |
| 18  | BLACK FRONT WHEEL SPOKE     | RADIO 3X257 RUEDA DELANTERA TRIAL NEGRO     |     | BT54200N2809    | 32   |
| 19  | SPOKE NUT                   | TUERCA RADIOS 3MM. RUEDA DELANTERA DIA. 6.5 |     | BT27718001/2    | 32   |
| 20  | FRONT HUB                   | BUJE LLANTA DELANTERA TR280I 2011           |     | 5210010211      | 1    |
| 21  | FRONT HUB BEARINGS          | CONJUNTO RODAMIENTOS LLANTA DELANTERA       |     | 254209PA        | 2    |

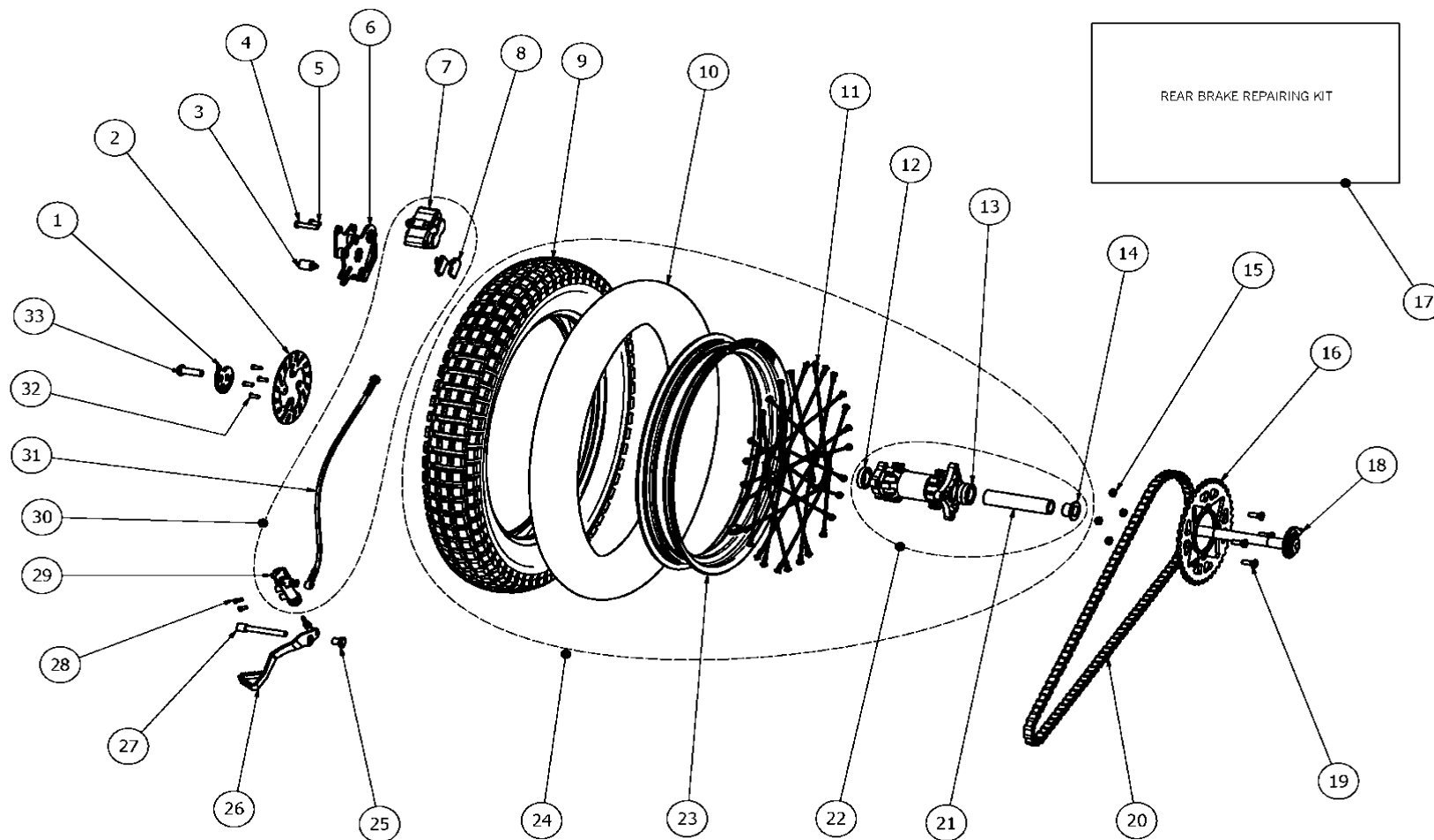


| num | description                   | descripción                              | 250 | 280        | cant |
|-----|-------------------------------|--|-----|------------|------|
| 1   | SWING ARM                     | BASCULANTE TR280I 2012                   |     | 4000010212 | 1    |
| 2   | REAR BRAKE CALIPER SCREW      | CENTRADOR PINZA EXPLORER 2P              |     | 7750010512 | 1    |
| 3   | FRICITION BEARING             | GLYCODUR PBG161817F                      |     | 161817OB   | 5    |
| 4   | WASHER                        | ARANDELA 16X25X0.5 INOX.                 |     | 162505NI   | 3    |
| 5   | TORX M5X12                    | TORX M5X12 PASO 0.8 CAB. ABOMBADA ARAND. |     | 051208BB   | 2    |
| 6   | CHAIN GUIDE                   | PATIN CADENA OSSA TR280I 2011            |     | 9030040211 | 1    |
| 7   | CHAIN PROTECTOR               | PROTECTOR CADENA OSSA TR280I 2011        |     | 9025040211 | 1    |
| 8   | TAPPING SCREW                 | TORX ST4,4X38 ROSCA XAPA                 |     | 043800FB   | 2    |
| 9   | SWING ARM SHAFT BUSH          | CASQUILLO BASCULANTE D.14X20X52.5        |     | 4120010211 | 2    |
| 10  | SWING ARM SHAFT SPECIAL SCREW | TORNILLO BASCULANTE 14x80 ACERO 12.9     |     | 148015DA   | 2    |
| 11  | TORX ST 3,9X9,5               | TORX ST3,9X9,5 ROSCA XAPA                |     | 030900FB   | 2    |
| 12  | CHAIN PROTECTION PLATE        | PROTECTOR PIÑON TR280I 2011              |     | 9035040211 | 1    |
| 13  | SEALING                       | OBTURADOR 20X26X4                        |     | 202604SH   | 2    |
| 14  | FRICITION BEARING             | GLYCODUR PG202315F                       |     | 202315OA   | 2    |
| 15  | FRICITION BEARING             | GLYCODUR PBG202321.5F                    |     | 202321.5OB | 2    |
| 16  | TORX M5X12                    | TORX 5X12 PASO 0.8 INOX.                 |     | 051208AA   | 3    |
| 17  | SCREW                         | TORX 10X50 PASO 125                      |     | 105012AA   | 1    |
| 18  | REAR SHOCK ABSORBER           | AMORTIGUADOR EXPLORER                    |     | 3000010512 | 1    |
| 19  | WASHER                        | ARANDELA                                 |     | 062802NA   | 1    |
| 20  | ROCKER ARM                    | CTO. BALANCIN TR280I 2014                |     | 3200010214 | 1    |
| 21  | ROCKER ARM - FRAME SHAFT      | EJE BALANCIN-BASTIDOR TR280I 2011        |     | 3230010211 | 1    |
| 22  | SEEGER                        | SEEGER PASADOR D.16 INOX.                |     | 160000WF   | 2    |
| 23  | ROCKER ARM SHAFT              | EJE BALANCIN TR280I 2014                 |     | 3220010214 | 1    |
| 24  | LINKER ASSY                   | BIELETA TR280I 2014                      |     | 3300010214 | 2    |
| 25  | SHOCK ABSORBER LOWER SCREW    | TORX 10X40 PASO 125 REBAJADO             |     | 104012HA   | 1    |
| 26  | NUT M10                       | TUERCA M10 PASO 125 AUTOBLOCANTE         |     | 1012KG     | 3    |
| 27  | TORX M5x16                    | TORX M5X16 BOMB. ARAND.                  |     | 051608BB   | 1    |
| 28  | SIDE STAND SPRING             | MUELLE CABALLETE TR280I 2011             |     | 1530010211 | 1    |
| 29  | SIDE STAND                    | CABALLETE TR 280I 2011                   |     | 1525010211 | 1    |
| 30  | O-RING 6x4                    | TORICA NBR70 6X4                         |     | 060400TA   | 1    |
| 31  | SIDE STAND STOP BLOCK         | GOMA TOPE CABALLETE TR280I 2011          |     | 1550010211 | 1    |
| 32  | SIDE STAND BUSH GUIDE         | CASQUILLO ROSCADO CABALLETE TR280I 2011  |     | 1540010211 | 3    |
| 33  | THREADED RIVET M5             | REMACHE ROSCADO M5                       |     | 0511XB     | 1    |
| 34  | SIDE STAND SUPPORT            | SOPORTE CABALLETE TR280I 2011            |     | 1520010211 | 1    |
| 35  | SCREW M8x10                   | TORX 8X10 CAB. BOMB. PASO 125            |     | 081012BA   | 1    |

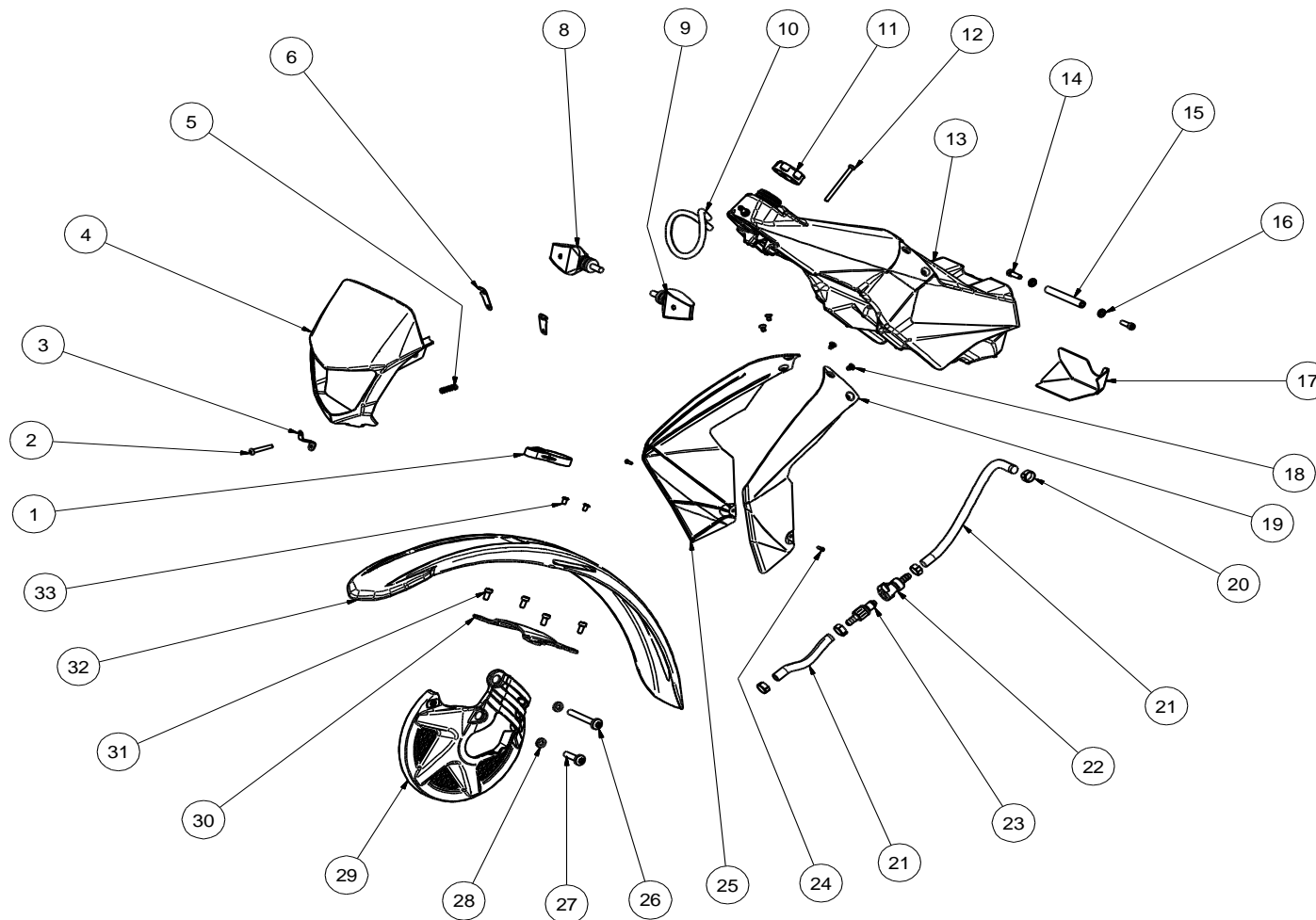


| num | description         | descripción                           | 250 | 280        | cant |
|-----|---------------------|---------------------------------------|-----|------------|------|
| 36  | CHAIN TENSOR SET    | CTO. TENSOR GUIA CADENA TR280I 2011   |     | 4450010211 | 1    |
| 37  | CHAIN TENSOR SPRING | MUELLE TENSOR GUIA CADENA TR280I 2011 |     | 4460010211 | 1    |
| 38  | SEEGER              | SEEGER EJE D.16 INOX.                 |     | 160000WD   | 2    |
| 39  | TORX M6X20          | TORX M6X20                            |     | 062010AA   | 2    |
| 40  | WASHER              | ARANDELA 06X24X2                      |     | 062402NA   | 2    |
| 41  | FRICTION BEARING    | GLYCODUR PG161812F                    |     | 161812OB   | 4    |

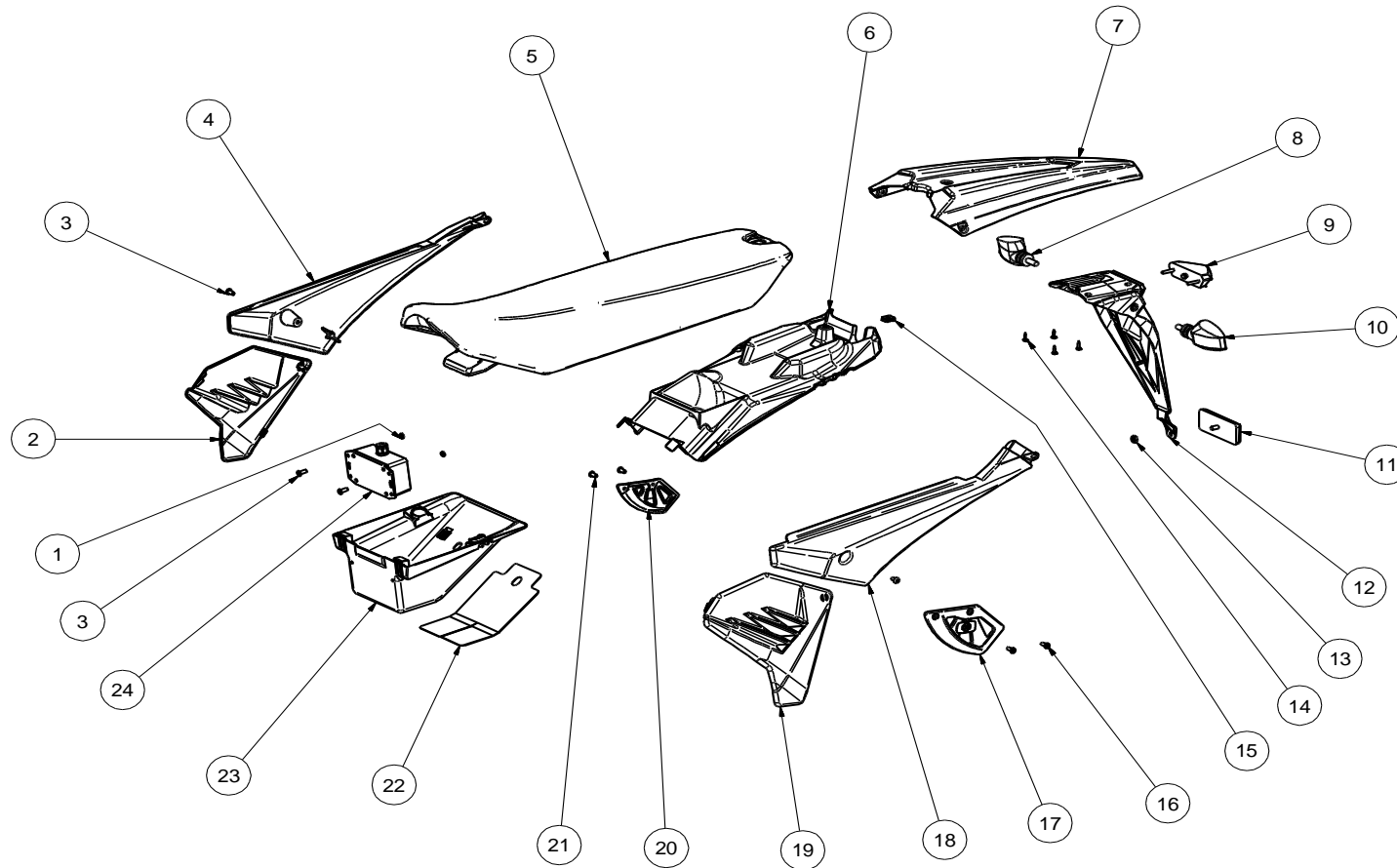




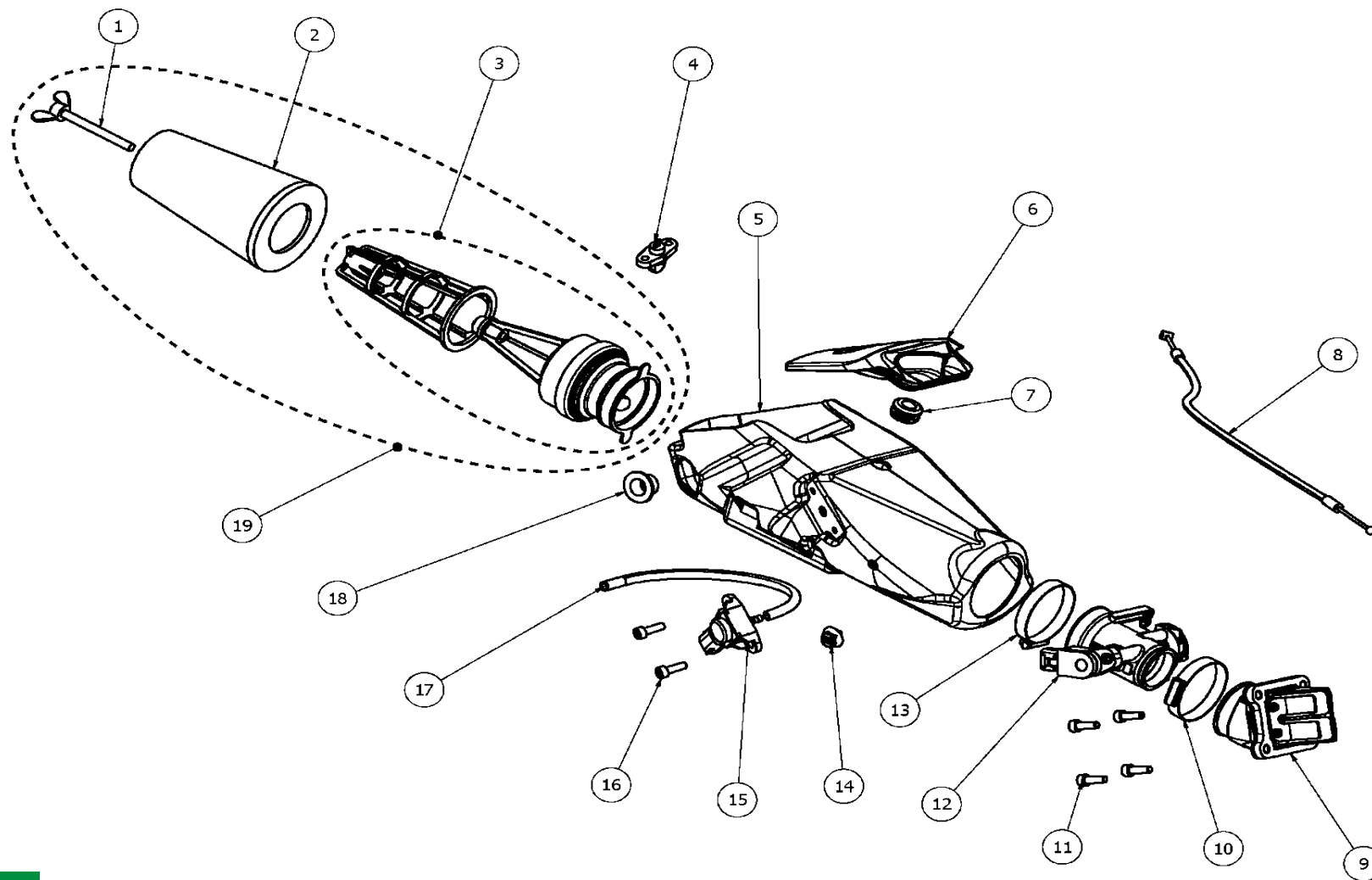
| num | description                  | descripción                          | 250 | 280        | cant |
|-----|------------------------------|--------------------------------------|-----|------------|------|
| 1   | REAR WHEEL TENSOR PLATE      | CASQUILLO RUEDA TRAS. CON EXCENTRICA |     | 6030010211 | 1    |
| 2   | REAR BRAKE DISK              | DISCO FRENO TRAS EXPLORER 2P 180mm   |     | 6400010512 | 1    |
| 3   | LOCK SET                     | SISTEMA ANTIRROBO TR280I 2011        |     | 1700010211 | 1    |
| 4   | TORX M8X40                   | TORX M8X40 PASO 1.25                 |     | 084012AA   | 1    |
| 5   | TORX M8X15                   | TORX M8X15 PASO 1.25                 |     | 081512AA   | 1    |
| 6   | REAR BRAKE CALIPER SUPPORT   | SOPORTE PINZA FRENO TRAS EXPLORER    |     | 7730010512 | 1    |
| 7   | REAR BRAKE CALIPER           | PINZA FRENO TRASERO                  |     | 7200010211 | 1    |
| 8   | REAR BRAKE PADS SET          | PASTILLAS FRENO TRASERO              |     | 7400010211 | 1    |
| 9   | REAR TYRE                    | NEUMÁTICO TRASERO EXPLORER           |     | 6600010512 | 1    |
| 10  | REAR AIR HOSE                | CÁMARA TRASERA                       |     | N180000    | 1    |
| 11  | REAR WHEEL SPOKES SET, BLACK | KIT RADIOS RUEDA TRASERA (NEGRO)     |     | 6310010512 | 28   |
| 12  | BEARING                      | RODAMIENTO BUJE TRASERO              |     | 204012PA   | 1    |
| 13  | BEARING                      | RODAMIENTO BUJE TRASERO              |     | 254209PA   | 2    |
| 14  | REAR WHEEL SPACER            | DISTANCIADOR RUEDA TRASERA           |     | 6040010212 | 1    |
| 15  | M8 NUT                       | TUERCA M8                            |     | 0812KK     | 4    |
| 16  | SPROKET                      | CORONA RUEDA TRAS                    |     | 6500010211 | 1    |
| 17  | REPAIR KIT REAR BRAKE SET    | KIT REPARACIÓN FRENO TRASERO         |     | 7999010211 |      |
| 18  | REAR WHEEL SHAFT ASSEMBLY    | ENSAMBLAJE EJE RUEDA TRASERA         |     | 6020010211 | 1    |
| 19  | SCREW M8x24                  | TORX CENTRADOR 8X24 PASO 125         |     | 082412HA   | 4    |
| 20  | CHAIN SET                    | CADENA                               |     | 4400010211 | 1    |
| 21  | REAR WHEEL SPACER            | DISTANCIADOR RUEDA TRASERA           |     | 6042010211 | 1    |
| 22  | REAR HUB                     | BUJE LLANTA TRASERA TR280I 2012      |     | 6210010212 | 1    |
| 23  | REAR RIM                     | LLANTA TRASERA EXPLORER              |     | 6110010512 | 1    |
| 24  | REAR WHEEL SET               | CONJUNTO RUEDA TRASERA EXPLORER      |     | 6000010512 | 1    |
| 25  | REAR BRAKE PEDAL BUSHING     | CENTRADOR PEDAL FRENO TR280I 2011    |     | 7830010211 | 1    |
| 26  | REAR BRAKE PEDAL             | PEDAL FRENO EXPLORER                 |     | 7820010512 | 1    |
| 27  | TORX M8X45                   | TORX AVELLANADO M8X45 PASO 125       |     | 084512CA   | 1    |
| 28  | TORX M5x12                   | TORX 5X12 PASO 0.8 INOX.             |     | 051208AA   | 2    |
| 29  | REAR BRAKE MASTER CYLINDER   | BOMBA FRENO TRASERO TR280I 2011      |     | 7600010211 | 1    |
| 30  | REAR BRAKE SET               | CTO FRENO TRAS. EXPLORER 2P          |     | 7500010512 | 1    |
| 31  | REAR BRAKE LINE              | LATIGUILLO FRENO TRASERO TR280I 2011 |     | 7800010211 | 1    |
| 32  | DISC BRAKE SCREWS            | TORX BAJO 6X16 PASO 100              |     | 061610AB   | 4    |
| 33  | SCREW M12x40                 | TORX 12X40 PASO 125 CAB. ABOMBADA    |     | 124012BA   | 1    |



| num | description                      | descripción                                   | 250 | 280           | cant |
|-----|----------------------------------|---|-----|---------------|------|
| 1   | PLASTIC CLAMP                    | GUIA LATIGUILLO FRENO DELANTERO               |     | BT21600RA3010 | 1    |
| 2   | HEADLIGHT ADJUSTING SCREW        | TORX 5X35 INOX                                |     | 053508AA      | 1    |
| 3   | HEADLIGHT MASK SUPPORT           | SOPORTE FARO HOMOL.                           |     | 2115030212    | 1    |
| 4   | HEADLIGHT MASK                   | PLASTICO FARO DEL. TR280I 2011                |     | 1010040211    | 1    |
| 5   | HEADLIGHT ADJUSTING SPRING       | MUELLE REGULADOR OPTICA HOM. TR280I 2011      |     | 2120030211    | 1    |
| 6   | LAMP SUPPORT                     | SOPORTE OPTICA DELANTERA TR280I 2011          |     | 2110030211    | 2    |
| 7   | HEADLIGHT SCREWS                 | TORX. 5X10 ROSCA PLASTICO                     |     | 051000FA      | 4    |
| 8   | INDICATOR-A                      | INTERMITENTE A TR280I 2011                    |     | 2300030211    | 1    |
| 9   | INDICATOR-B                      | INTERMITENTE B TR280I 2011                    |     | 2350030211    | 1    |
| 10  | FUEL TANK AIR HOSE               | TUBO DESVAPORIZADOR DEPÓSITO                  |     | 9415010514    | 1    |
| 11  | TANK CAP                         | TAPÓN DEPÓSITO                                |     | 9410010512    | 1    |
| 12  | TORX M5X60                       | TORX M5X60 PASO 0.8 INOX                      |     | 056008BA      | 1    |
| 13  | FUEL TANK                        | DEPOSITO EXPLORER TR280I                      |     | 9400010512    | 1    |
| 14  | TORX M6x20                       | TORX 6X20 INOX                                |     | 062010AA      | 2    |
| 15  | TANK HINGE                       | CASQUILLO BISAGRA DEPOSITO                    |     | 9455010512    | 1    |
| 16  | TANK HINGE BUSHING               | CASQ CENTRADOR BISAGRA DEP.                   |     | 9460010512    | 2    |
| 17  | HEATPROOF PROTECTOR OF FUEL TANK | PROTECTOR TERMICO DEPOSITO                    |     | 9425010512    | 1    |
| 18  | TORX M5x8 CHAMFER                | TORX AVELLANADO M5X10 PASO 0.8 INOX.          |     | 051008CA      | 4    |
| 19  | LEFT SHROUDS PANEL               | TAPA RADIADOR IZDA.EXPLORER 2014              |     | 4020040514    | 1    |
| 20  | CLAMP                            | ABRAZADERA SIN ESCALA 14.5                    |     | 1408UC        | 4    |
| 21  | FUEL QUICK CONNECT TUBE          | TUBO GASOLINA CONEXIÓN DEPOSITOS              |     | 9151010512    | 2    |
| 22  | FEMALE FUEL QUICK CONNECT        | CONECTOR RAPIDO HEMBRA DEPOSITO EXPLORER 2012 |     | 9450010512    | 1    |
| 23  | MALE FUEL QUICK CONNECT          | CONECTOR RAPIDO MACHO DEPOSITO EXPLORER       |     | 9451010512    | 1    |
| 24  | RADIATOR SCREW                   | TORX ST3,9X9,5 ROSCA XAPA                     |     | 030900FB      | 2    |
| 25  | RIGHT SHROUDS PANEL              | TAPA RADIADOR DER. EXPLORER 2014              |     | 4010040514    | 1    |
| 26  | TORX M8x60                       | TORX 8X60 CABOTA ABOMBADA TUFLOCK PASO 125    |     | 086012BG      | 1    |
| 27  | TORX M8x30                       | TORX 8X30 CABOTA ABOMBADA TUFLOCK PASO 125    |     | 083012BG      | 1    |
| 28  | FRONT DISC COVER WASHER          | CASQUILLO PINZA FRENO DEL. 8X14X3             |     | 7255010211    | 2    |
| 29  | FRONT DISC COVER                 | PROTECTOR DISCO DELANTERO TR280I 2011         |     | 9010040211    | 1    |
| 30  | FRONT FENDER SUPPORT PLATE       | SOPORTE GUARDABARROS DEL. TR280I 2011         |     | 2650010211    | 1    |
| 31  | TORX M6x12                       | TORX M6X12 PASO 100                           |     | 061210AA      | 4    |
| 32  | FRONT FENDER                     | GUARDABARROS DEL. NEGRO OSSA TR280I 2011      |     | 2000040211    | 1    |
| 33  | TORX M5X8                        | TORX M5X8 PASO 0.8 CABOTA BAJA                |     | 050808AB      | 2    |

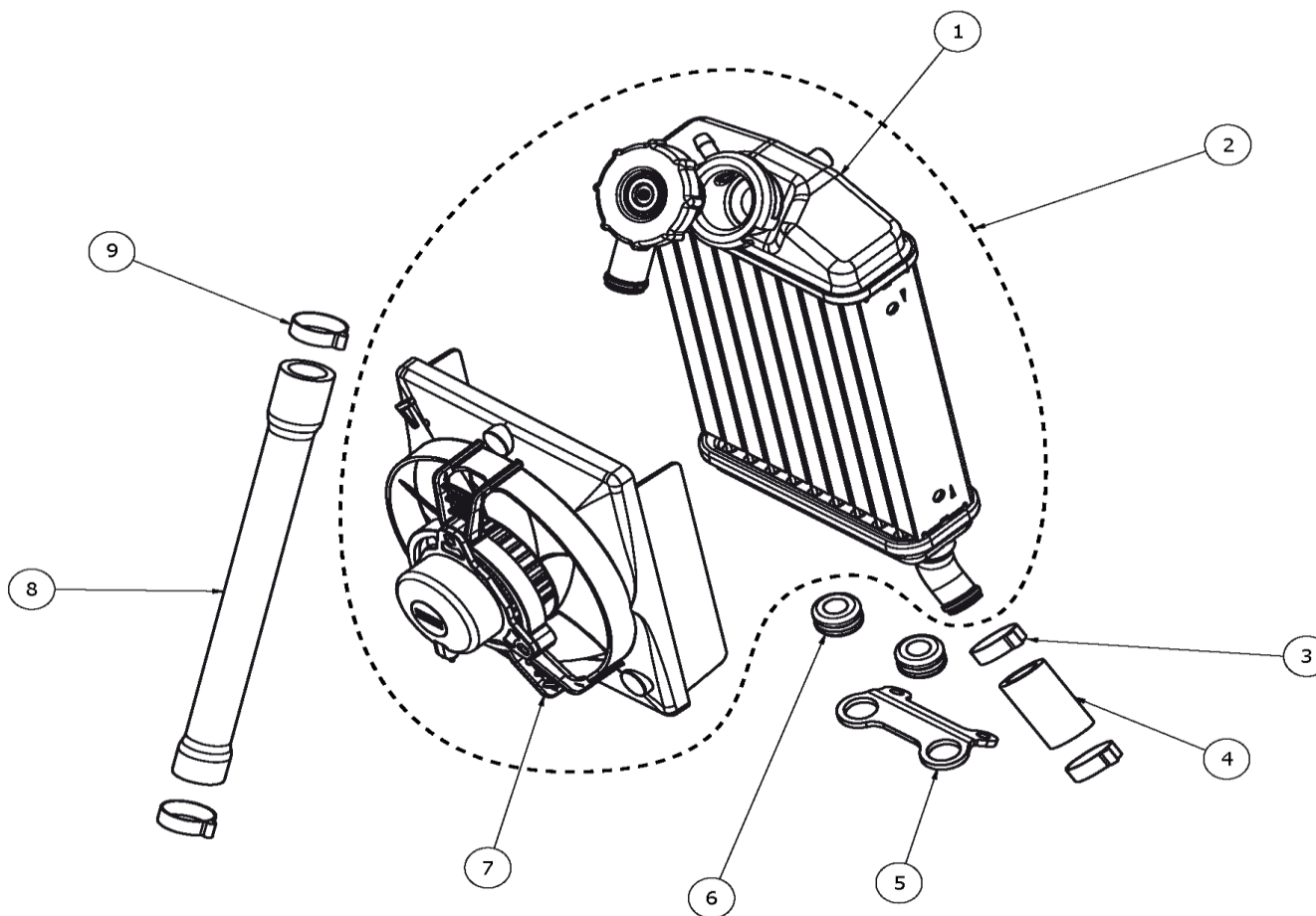


| num | description             | descripción                              | 250 | 280        | cant |
|-----|-------------------------|--|-----|------------|------|
| 1   | M5 NUT                  | TUERCA M5                                |     | 0508KC     | 2    |
| 2   | RIGHT SUBFRAME PANEL    | TAPA SUBCHASIS DER.EXPLORER 2012         |     | 6210040512 | 1    |
| 3   | TORX M5x12              | TORX M5X12 PASO 0.8 CAB. ABOMBADA ARAND. |     | 051208BB   | 4    |
| 4   | RIGHT SIDE PANEL        | TAPA PORTANUMEROS DER.EXPLORER 2014      |     | 6200040514 | 1    |
| 5   | SEAT                    | ASIENTO CON LLAVE EXPLORER               |     | 8000040512 | 1    |
| 6   | EXHAUST PROTECTOR       | PASO RUEDA EXPLORER 2012                 |     | 6400040512 | 1    |
| 7   | REAR FENDER             | GUARDABARROS TRAS.EXPLORER 2014          |     | 6000040514 | 1    |
| 8   | INDICATOR-B             | INTERMITENTE B TR280I 2011               |     | 2350030211 | 1    |
| 9   | TAIL LIGHT              | PILOTO TRAS. EXPLORER 2012               |     | 3100030512 | 1    |
| 10  | INDICATOR-A             | INTERMITENTE A TR280I 2011               |     | 2300030211 | 1    |
| 11  | REAR CATADIOPTRIC       | CATADRIOPTICO TR280I 2011                |     | 3250030211 | 1    |
| 12  | NUMBER PLATE SUPPORT    | PORTAMATRICULA EXPLORER 2012             |     | 7000040212 | 1    |
| 13  | M5 NUT                  | TUERCA M5 PASO 0.8                       |     | 0508KA     | 1    |
| 14  | SELF-TAPPERED SCREW     | TORNILLO ROSCAPLÁSTICO                   |     | 041200FA   | 4    |
| 15  | NUT CLIP M5             | TUERCA GRAPA M5 PASO 0.8                 |     | 0508LA     | 1    |
| 16  | TORX M5x12              | TORX M5x12                               |     | 051208AB   | 2    |
| 17  | REAR SPROCKET PROTECTOR | PROTECTOR CORONA TR280I 2011             |     | 9020040211 | 1    |
| 18  | LEFT SIDE PANEL         | TAPA PORTANUMEROS IZQ. EXPLORER 2014     |     | 6300040514 | 1    |
| 19  | LEFT SUBFRAME PANEL     | TAPA SUBCHASIS IZD. EXPLORER 2012        |     | 6310040512 | 1    |
| 20  | REAR DISC PROTECTOR     | PROTECTOR DISCO TRASERO TR280I 2011      |     | 9015040211 | 1    |
| 21  | TORX M5x10              | TORX M5x10                               |     | 051008AB   | 2    |
| 22  | BOX HEAT PROTECTOR      | PROTECTOR TERMICO CAJON EXPLORER         |     | 8110040512 | 1    |
| 23  | BOX                     | CAJON EXPLORER                           |     | 8500040512 | 1    |
| 24  | EASY START SYSTEM       | SUPLEMENTO INST. ARRANQUE                |     | 1160030214 | 1    |

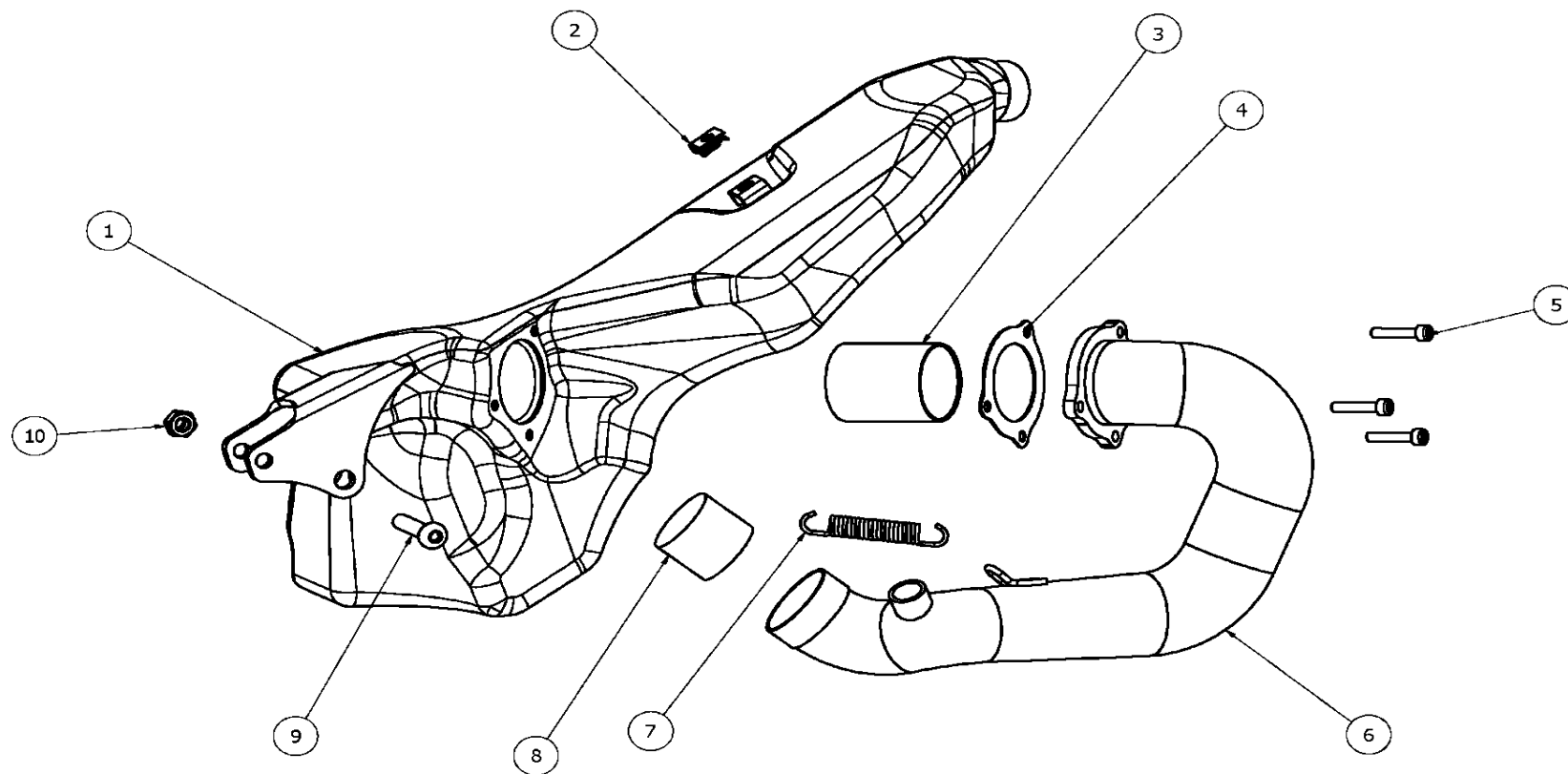


| num | description                 | descripción                                      | 250 | 280        | cant |
|-----|-----------------------------|--|-----|------------|------|
| 1   | AIR FILTER SCREW            | TORNILLO PALOMILLA FIJADOR FILTRO AIRE TR280I-1  |     | 9340010213 | 1    |
| 2   | AIR FILTER FOAM             | ESPUMA FILTRO AIRE TR280I 2013                   |     | 9350010213 | 1    |
| 3   | AIR FILTER HOUSING          | JAULA FILTRO AIRE TR280I 2013                    |     | 9330010213 | 1    |
| 4   | AIR TEMPERATURE SENSOR      | SENSOR TEMPERATURA AIRE TR280I 2011              |     | 9250030211 | 1    |
| 5   | AIRBOX                      | CAJA FILTRO OSSA TR280I 2011                     |     | 5000040211 | 1    |
| 6   | AIR FILTER MANIFOLD         | TOBERA ADMISION CAJA FILTRO TR280I 2011          |     | 5020040211 | 1    |
| 7   | RADIATOR SILENTBLOCK        | GOMA SOPORTE RADIADOR TR280I 2011                |     | 9410020211 | 1    |
| 8   | THROTTLE CABLE              | CABLE DE GAS TR280I 2011                         |     | 9050010211 | 1    |
| 9   | REED BLOCK ASSY             | CAJA LAMINAS OSSA TR280I 2011                    |     | 9100020211 | 1    |
| 10  | CLAMP                       | ABRAZADERA TORRO 32-50/97W2                      |     | 325009VA   | 1    |
| 11  | SCREW                       | ALLEN M5X16 PASO 0.8                             |     | 051608DA   | 4    |
| 12  | THROTTLE BODY ASSY          | CUERPO DE GAS TR280I 2011                        |     | 9000010211 | 1    |
| 13  | CLAMP                       | ABRAZADERA TORRO 30-45/97W2                      |     | 304509VA   | 1    |
| 14  | CABLE SUPPORT               | REMACHE CAJA FILTRO                              |     | 5055040214 | 1    |
| 15  | AIR PRESSURE SENSOR         | SENSOR PRESION DE AIRE TR280I 2011               |     | 9260030211 | 1    |
| 16  | TORX. 40X14                 | TORX M5X14 ROSCA PLASTICO                        |     | 051400FA   | 2    |
| 17  | PRESSURE SENSOR INTAKE HOSE | TUBO ASPIRACION SENSOR MAP 3X5X195mm TR280I 2011 |     | 9420010211 | 1    |
| 18  | AIRBOX CAP                  | TAPON CAJA FILTRO                                |     | 5050040214 | 1    |
| 19  | AIR FILTER                  | FILTRO AIRE TR280I 2013                          |     | 9300010213 | 1    |

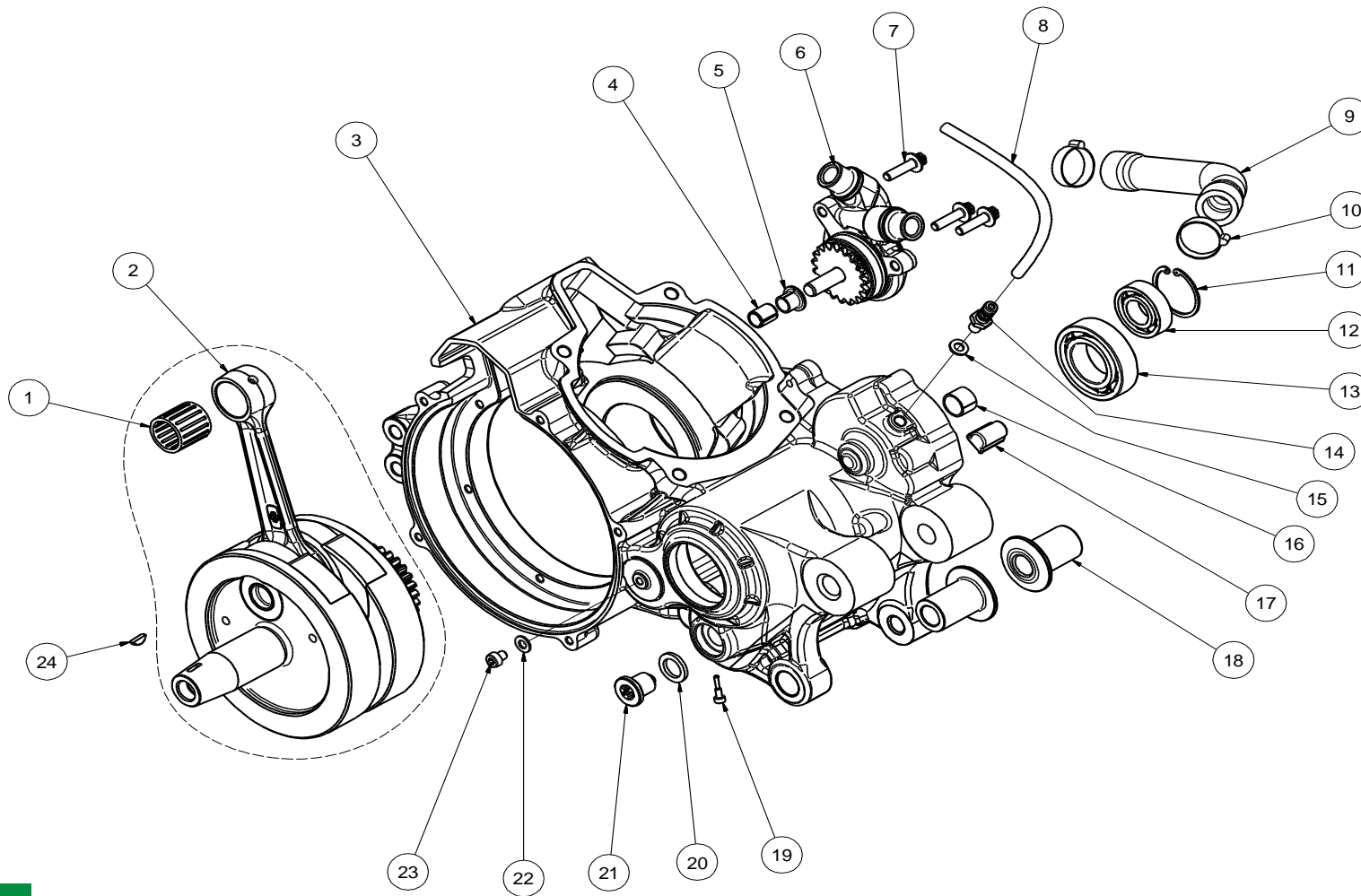




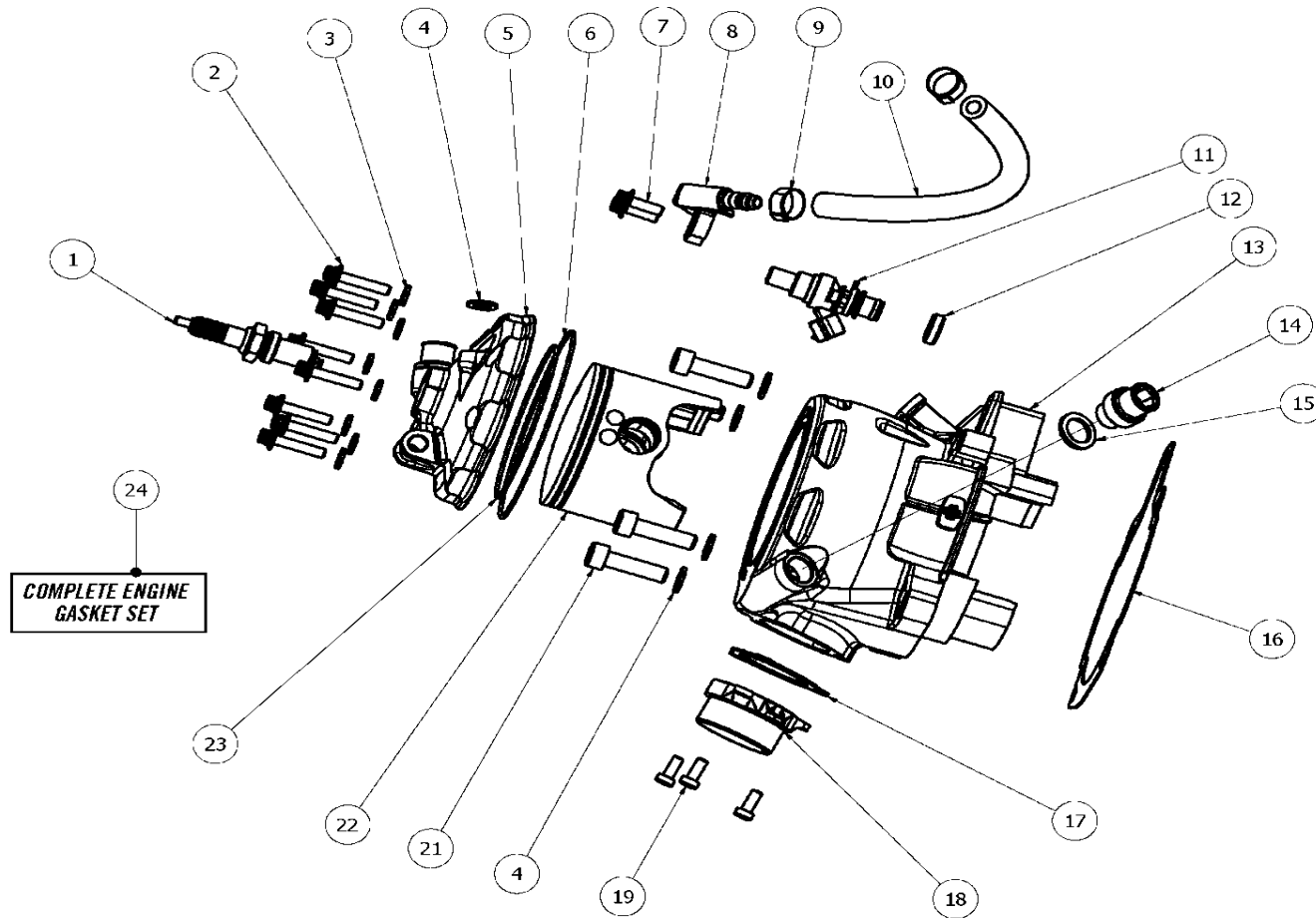
| num | description            | descripción                              | 250 | 280        | cant |
|-----|------------------------|--|-----|------------|------|
| 1   | RADIATOR               | RADIADOR TR280I 2011                     |     | 8110010211 | 1    |
| 2   | RADIATOR + FAN SET     | CTO. RADIADOR CON VENTILADOR TR280I 2011 |     | 8100010211 | 1    |
| 3   | CLAMP                  | ABRAZADERA COBRA 23                      |     | 2308UA     | 1    |
| 4   | WATER PUMP HOSE        | TUBO REFRIGERANTE BOMBA                  |     | 5720020211 | 1    |
| 5   | RADIATOR SUPPORT PLATE | SOPORTE RADIADOR TR280I 2011             |     | 9400020211 | 1    |
| 6   | SILENTBLOCK            | GOMA SOPORTE RADIADOR TR280I 2011        |     | 9410020211 | 2    |
| 7   | FAN                    | VENTILADOR TR280I 2011                   |     | 9100030211 | 1    |
| 8   | CYLINDER WATER HOSE    | TUBO REFRIGERANTE CILINDRO               |     | 8310010211 | 1    |
| 9   | CLAMP                  | ABRAZADERA COBRA 21/8W4                  |     | 2108UA     | 3    |



| num | description               | descripción                           | 250 | 280        | cant |
|-----|---------------------------|---------------------------------------|-----|------------|------|
| 1   | EXHAUST ASSEMBLY          | CONJUNTO SILENCIADOR                  |     | 9650010211 | 1    |
| 2   | NUT CLIP M5               | TUERCA GRAPA M5 PASO 0.8              |     | 0508LA     | 1    |
| 3   | CATALYTIC CONVERTOR 42.5  | CATALIZADOR 42.5mm                    |     | 9671010512 | 1    |
| 4   | BEND EXHAUST GASKET       | JUNTA COLECTOR-INTERMEDIO TR280I 2011 |     | 9510010211 | 1    |
| 5   | M5x20 SCREW               | TORX 5X20 PASO 0.8 INOX.              |     | 052008AA   | 3    |
| 6   | HEADER PIPE               | COLECTOR ESCAPE                       |     | 9610010211 | 1    |
| 7   | HEADER PIPE SPRING        | MUELLE COLECTOR ESCAPE TR280I 2011    |     | 9620010211 | 1    |
| 8   | CATALYTIC CONVERTOR 32.25 | CATALIZADOR 32,25                     |     | 9675010512 | 1    |
| 9   | TORX M8x40                | TORX M8X40 PASO 0.8                   |     | 084012AA   | 1    |
| 10  | M8 NUT                    | TUERCA AUTOBL. M8 BAJA                |     | 0812KG     | 1    |

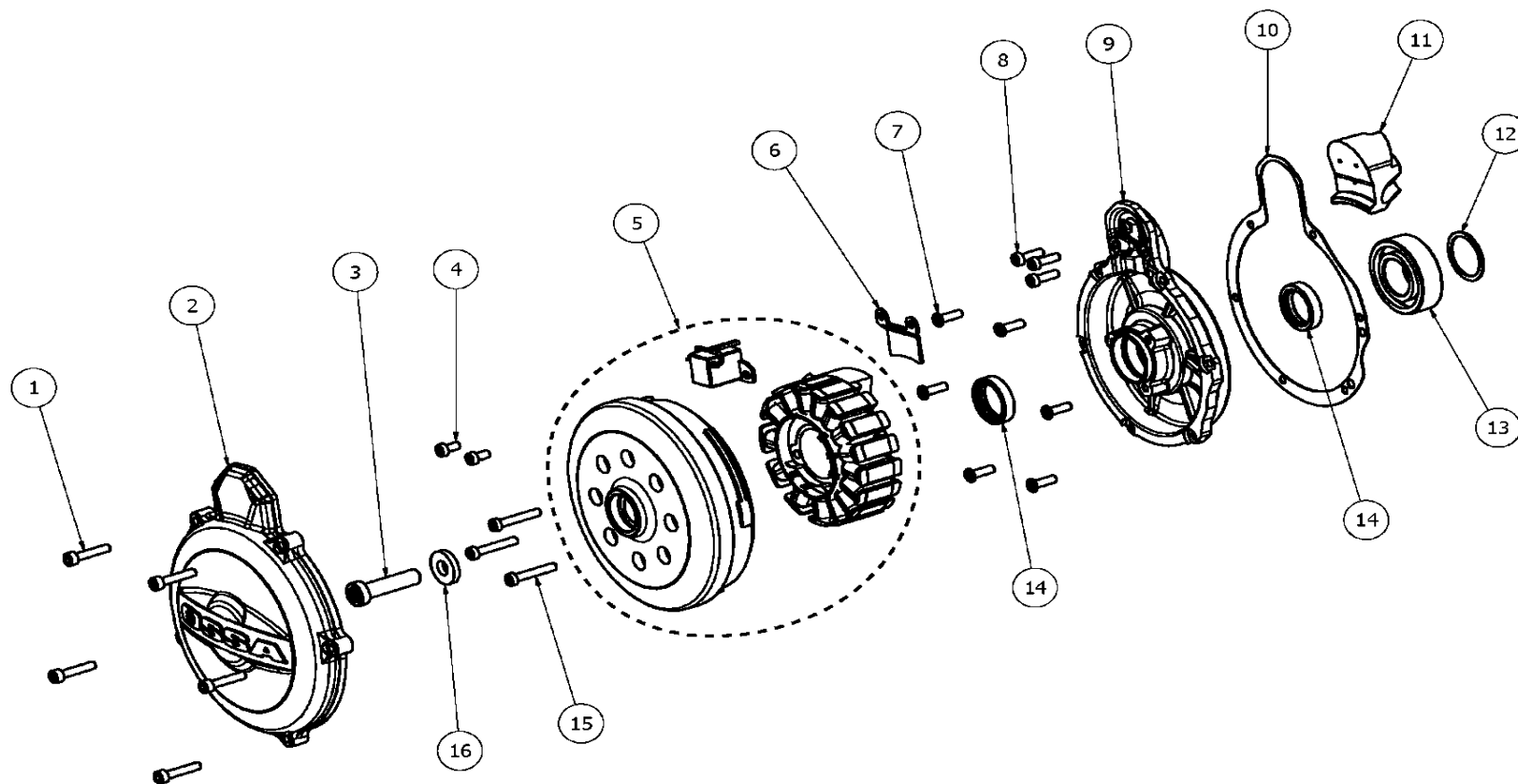


| num | description                   | descripción                                  | 250 | 280        | cant |
|-----|-------------------------------|--|-----|------------|------|
| 1   | NEEDLE BEARING                | RODAMIENTO DE AGUJAS                         |     | 182222QA   | 1    |
| 2   | CRANKSHAFT                    | CIGUEÑAL TR280I-13                           |     | 3000020213 | 1    |
| 3   | CRANKCASE                     | CARTER OSSA TR 2014                          |     | 1000020215 | 1    |
| 4   | FRICTION BEARING              | GLYCODUR PG081012F                           |     | 081012OA   | 1    |
| 5   | FRICTION BEARING              | GLYCODUR PBG081009,5F                        |     | 081009.5OB | 1    |
| 6   | WATER PUMP ASSY               | BOMBA AGUA OSSA TR280I 2013                  |     | 5500020213 | 1    |
| 7   | M5x20 SCREW                   | TORX 5X20 PASO 0.8 INOX.                     |     | 052008AA   | 3    |
| 8   | CRANKCASE BREATHER HOSE       | TUBO DESV. TAPON GAS. 3X5X680mm TR280I 2011  |     | 9415010211 | 1    |
| 9   | CYLINDER WATER HOSE           | TUBO GOMA DE BOMBA-CILINDRO TR280I 2011      |     | 5710020211 | 1    |
| 10  | CLAMP                         | ABRAZADERA COBRA 21/8W4                      |     | 2108UA     | 2    |
| 11  | SEEGER Ø32                    | SEEGER PASADOR D.32                          |     | 320000WC   | 1    |
| 12  | BEARING                       | RODAMIENTO PRIMARIO 3804 2RSR HLC            |     | 203210PA   | 1    |
| 13  | BEARING                       | RODAMIENTO 6005 25X42X12                     |     | 254212PA   | 1    |
| 14  | BREATHER PIPE                 | DESVAPORIZADOR CARTER                        |     | M0103200   | 1    |
| 15  | WASHER                        | ARANDELA                                     |     | T4006010   | 1    |
| 16  | FRICTION BEARING              | GLYCODUR PG121410F                           |     | 121410OA   | 1    |
| 17  | KICKSTART PEDAL STOP          | TOPE SECTOR ARRANQUE TR280I 2011             |     | 7160020211 | 1    |
| 18  | REAR ENGINE CENTERING BUSHING | CASQUILLO FIJACION MOTOR TRASERO TR280I 2011 |     | 4200010211 | 2    |
| 19  | CRANKSHAFT BEARING POS. SCREW | POSICIONADOR RODAM. CIGÜEÑAL TR280I 2011     |     | 3350020211 | 1    |
| 20  | WASHER                        | ARANDELA COBRE D.12X18X2                     |     | 121802NF   | 1    |
| 21  | OIL DRAINING BOLT             | TAPON VACIADO ACEITE CON IMAN                |     | 1300020211 | 1    |
| 22  | WASHER                        | ARANDELA                                     |     | 050915NF   | 1    |
| 23  | M5x6 SCREW                    | TORNILLO M5x6                                |     | 050608AA   | 1    |
| 24  | WOODRUFF KEY 10x3,7x3         | CHAVETA 3X10X3,7 DIN 6888                    |     | 3300020211 | 1    |

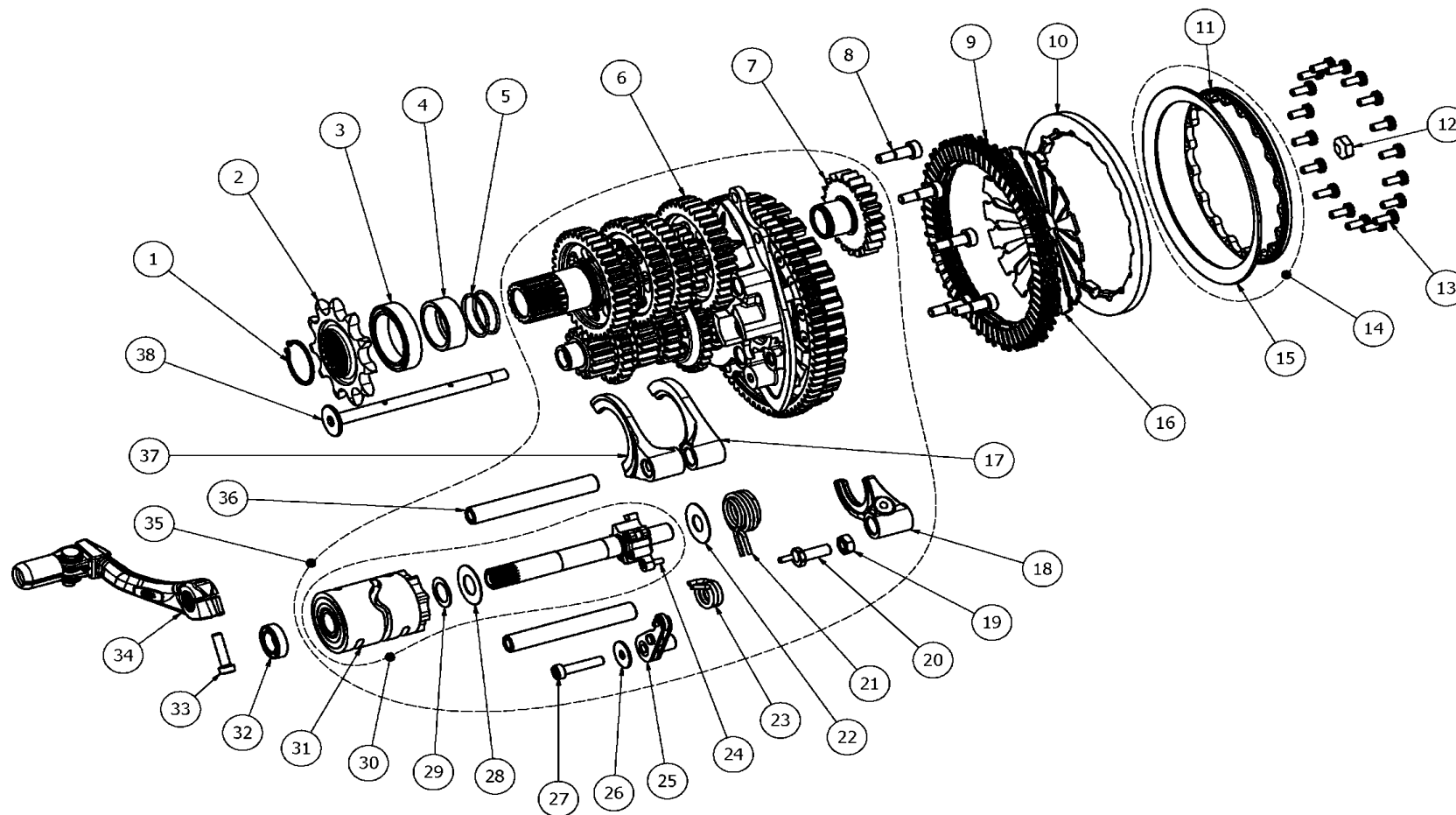


| num | description                | descripción                           | 250         | 280         | cant |
|-----|----------------------------|---------------------------------------|-------------|-------------|------|
| 1   | SPARK PLUG                 | BUJIA NGK                             |             | 6300020211  | 1    |
| 2   | M5x25 TORX                 | TORX 5X25 PASO 0.8 INOX.              |             | 052508AA    | 1    |
| 3   | WASHER                     | ARANDELA COBRE D.5X11X1,5             |             | 051115NF    | 1    |
| 4   | WASHER                     | ARANDELA COBRE D.8X14X1,5             |             | 081415NF    | 1    |
| 5   | CYLINDER HEAD ASSY         | CTO.CULATA                            | 6000020714  | 6000020214  | 1    |
| 6   | O-RING NBR                 | TORICA EXT. CULATA NBR 104,40X1,78    |             | 10440178TA  | 1    |
| 7   | M5x16 SCREW                | TORX M5X16 BOMB. ARAND.               |             | 051608BB    | 1    |
| 8   | INJECTOR CAP               | TAPA INYECTOR TR280I 2011             |             | 9120010211  | 1    |
| 9   | CLAMP                      | ABRAZADERA SIN ESCALA 14.5            |             | 1408UC      | 3    |
| 10  | FUEL LINE                  | TUBO GASOLINA TR280I 2011             |             | 9150010211  | 1    |
| 11  | INJECTOR                   | INYECTOR TR280I 2011                  |             | 9110010211  | 2    |
| 12  | INJECTOR GASKET            | AISLANTE INYECTOR TR280I 2011         |             | 9130010211  | 1    |
| 13  | CYLINDER A                 | CTO. CILINDRO A                       | 6500020714A | 6500020211A | 1    |
|     | CYLINDER B                 | CTO. CILINDRO B                       | 6500020714B | 6500020211B | 1    |
|     | CYLINDER C                 | CTO. CILINDRO C                       | 6500020714C | 6500020211C | 1    |
| 14  | CYLINDER WATER HOSE NECK   | RACORD SALIDA AGUA TR280I 2014        | 6515020214  | 6515020211  | 1    |
| 15  | WASHER                     | ARANDELA                              | 142018NE    | -           | 1    |
| 16  | CYLINDER GASKET            | JUNTA BASE CILINDRO TR280I            |             | 9530020211  | 2    |
| 17  | EXHAUST GASKET             | JUNTA SALIDA DE GASES TR280I 2011     |             | 9535020211  | 1    |
| 18  | EXHAUST MANIFOLD           | UNION SALIDA GASES-ESCAPE TR280I 2011 |             | 6520020211  | 1    |
| 19  | M5x12 TORX                 | TORX 5X12 PASO 0.8 INOX.              |             | 051208AA    | 1    |
| 20  | WASHER                     | ARANDELA COBRE D.8X14X1,5             |             | 081415NF    | 1    |
| 21  | M8x30 TORX                 | TORX 8X30 PASO 125 INOX.              |             | 083012AA    | 1    |
| 22  | PISTON A ASSY              | CTO. PISTON A                         | 6600020714A | 6600020211A | 1    |
|     | PISTON B ASSY              | CTO. PISTON B                         | 6600020714B | 6600020211B | 1    |
|     | PISTON C ASSY              | CTO. PISTON C                         | 6600020714C | 6600020211C | 1    |
| 23  | O-RING NBR                 | TORICA CULATA INT. VITON              |             | 8227178TB   | 1    |
| 24  | COMPLETE ENGINE GASKET SET | CONJUNTO JUNTAS MOTOR                 |             | 9500020211  |      |

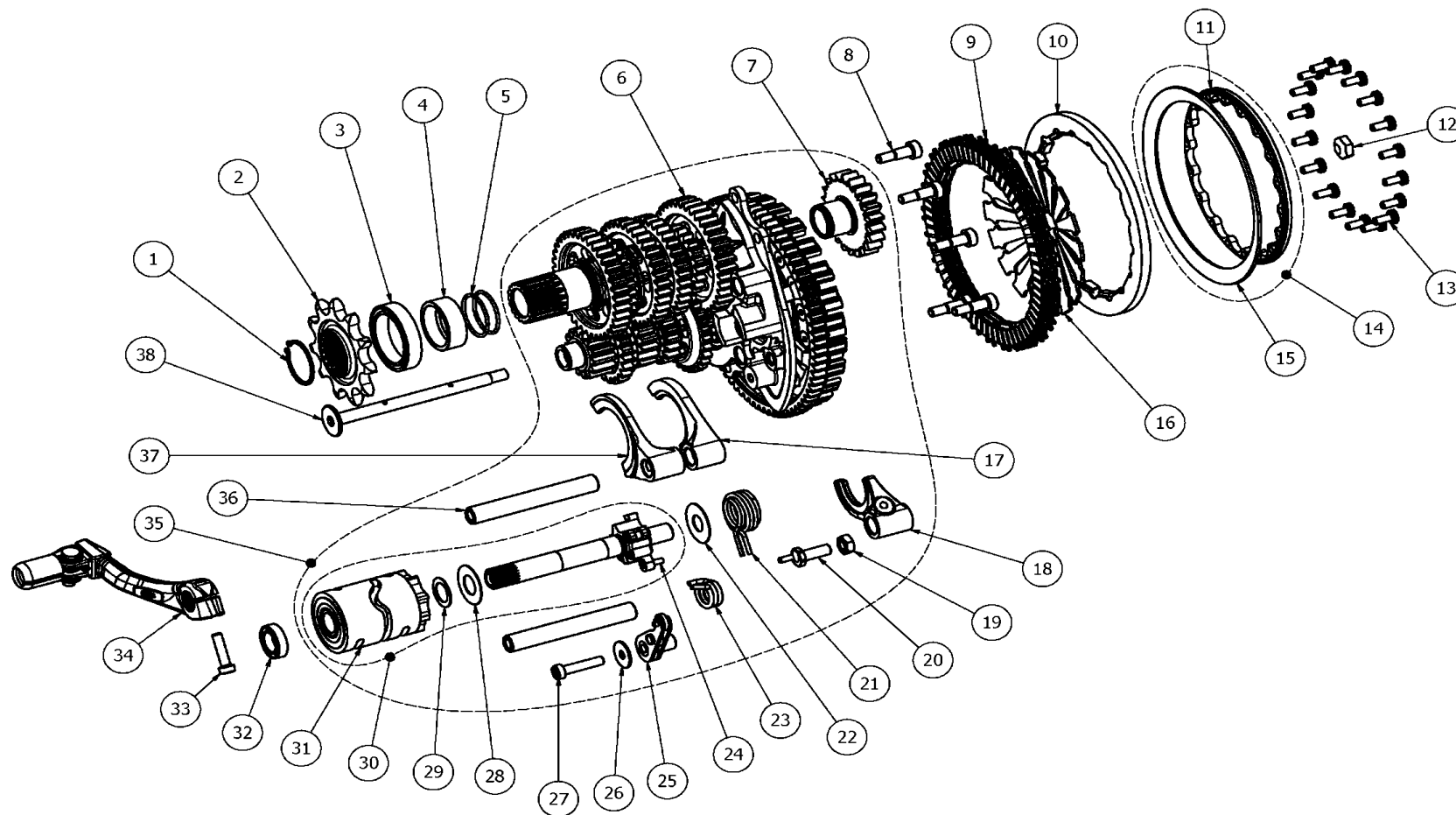




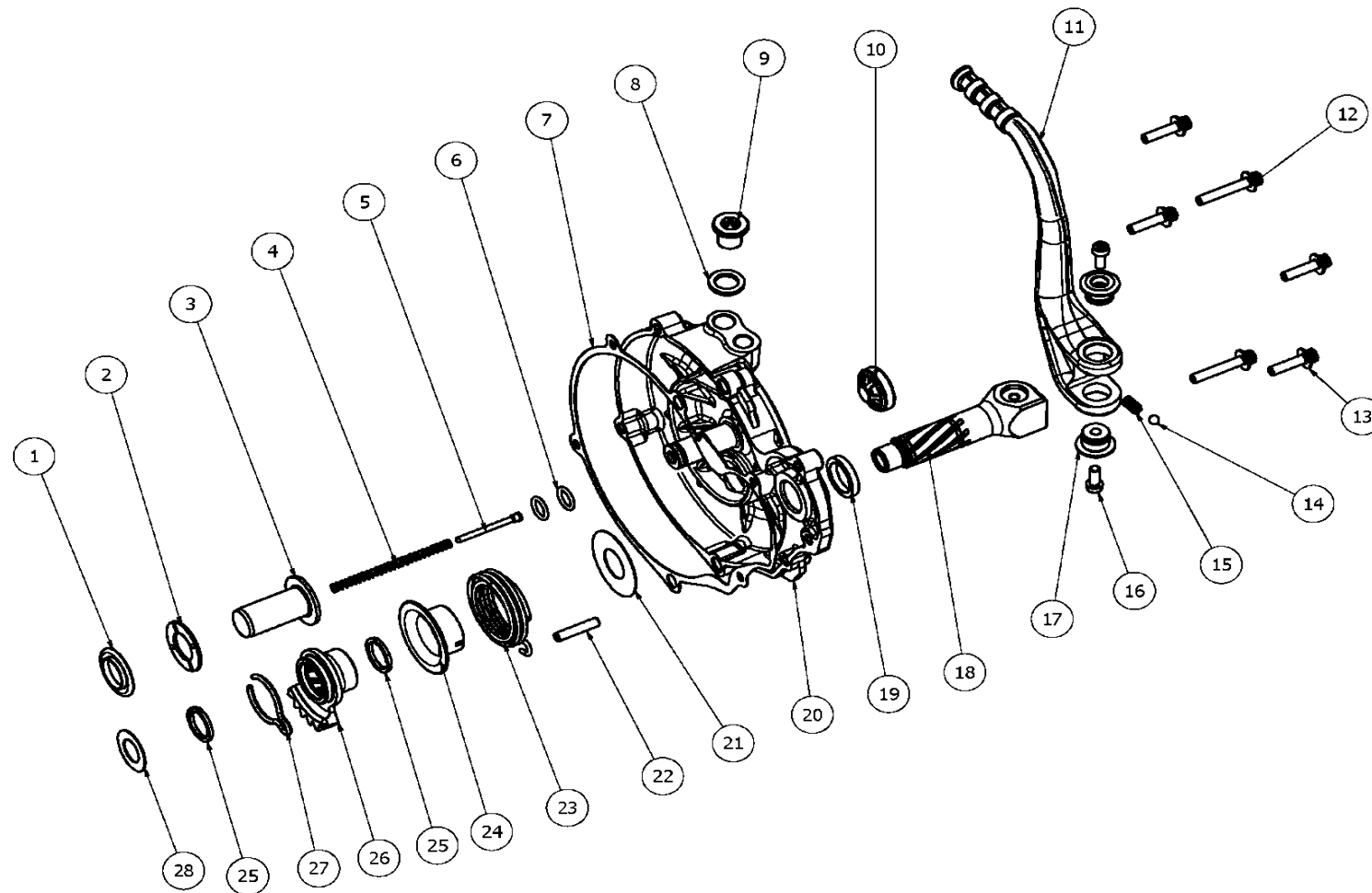
| num | description                   | descripción                                  | 250 | 280        | cant |
|-----|-------------------------------|--|-----|------------|------|
| 1   | M5x20 TORX                    | TORX 5X20 PASO 0.8 INOX.                     |     | 052008AA   | 5    |
| 2   | IGNITION COVER                | TAPA ENCENDIDO OSSA TR280I 2011              |     | 7300030211 | 1    |
| 3   | M10x40 SCREW                  | TORX 10X40 PASO 125 BAJO                     |     | 104012AB   | 1    |
| 4   | TORX M5x12 INOX               | TORX 5X12 PASO 0.8 INOX.                     |     | 051208AA   | 2    |
| 5   | ACG SET                       | CTO. ROTOR Y STATOR TR280I 2011              |     | 7100030211 | 1    |
| 6   | STATOR WIRES SUPPORT PLATE    | PLANCHA SOPORTE PICK-UP TR280I 2011          |     | 7210030211 | 1    |
| 7   | M5x16 TORX                    | TORX M5X16 BOMB. ARAND.                      |     | 051608BB   | 6    |
| 8   | M5x16 TORX                    | TORX 5X16 PASO 0.8 CAB. BAJA PAVONADO TUFLOK |     | 051608AE   | 3    |
| 9   | INNER CRANKSHAFT COVER        | TAPA INTERIOR ENCENDIDO TR280-13             |     | 3400020213 | 1    |
| 10  | INNER CRANKSHAFT COVER GASKET | JUNTA TAPA INTERIOR ENCENDIDO TR280I 2011    |     | 9570020211 | 1    |
| 11  | INNER CRANKSHAFT COVER INSERT | POSTIZO TAPA INTER. ENCENDIDO TR280I 2011    |     | 3420020211 | 1    |
| 12  | WASHER 28X34X0,8              | ARANDELA POSIC.RODAMIENTO                    |     | 3320020213 | 1    |
| 13  | BEARING                       | RODAMIENTO 6205-2RSH2TN9/C4GWF               |     | 3430020213 | 1    |
| 14  | SEALING                       | RETEN DOBLE LABIO 25X32X0.7 VITON            |     | 253207SB   | 2    |
| 15  | M5X25 TORX                    | TORX 5X25 PASO 0.8                           |     | 052508AF   | 3    |
| 16  | WASHER 10x25x4                | ARANDELA 10X25X4                             |     | 102540HB   | 1    |



| num | description                       | descripción                                    | 250 | 280          | cant |
|-----|-----------------------------------|--|-----|--------------|------|
| 1   | SEGER Ø25                         | SEGER D.25                                     |     | 250000WA     | 1    |
| 2   | COUNTERSHAFT SPROCKET             | PIÑÓN SALIDA                                   |     | 4310020211   | 1    |
| 3   | SEAL FOR GEAR OUTPUT SHAFT        | RETEN DOBLE LABIO 30X40X8                      |     | 304008SB     | 1    |
| 4   | SHIFT SEAL BUSHING                | CASQUILLO SALIDA TR280I 2011                   |     | 4510020211   | 1    |
| 5   | O-RING NBR                        | TORICA NBR D.25X1,5                            |     | 251500TA     | 2    |
| 6   | GEAR TRANSMISSION ASSY            | CTO.CAMBIO OSSA TR 2014                        |     | 4000020214   | 1    |
| 7   | IDLING GEAR                       | PIÑÓN INTERMEDIO ARRANQUE                      |     | 7315020211   | 1    |
| 8   | SCREW                             | ALLEN CENTRADOR (6) M5 PAVONADO TUFLOK         |     | 061008DB     | 5    |
| 9   | CLUTCH DISCS SET                  | CTO. DISCOS EMBRAGUE TR280I 2012               |     | 2300020212   | 1    |
| 10  | PRESSURE PLATE                    | PRENSA EMBRAGUE TR280I 2012                    |     | 2410020211   | 1    |
| 11  | CLUTCH SPRING SUPPORT PLATE       | SOPORTE MUELLE EMBRAGUE TR280I 2014            |     | 2430020214   | 1    |
| 12  | CLUTCH NUT LOCKER                 | TUERCA FIJACION CAMBIO TR14                    |     | 1610020214   | 1    |
| 13  | M4x10 SCREW                       | TORX 4X10 PASO 0.7 CAB. ABOMBADA ECO FIX INOX. |     | 041007BC     | 18   |
| 14  | CLUTCH SPRING + SUPPORT SET       | CONJUNTO MUELLE EMBRAGUE + SOPORTE             |     | 2420020211-1 | 1    |
| 15  | CLUTCH SPRING                     | MUELLE EMBRAGUE TR280I 2014                    |     | 2420020214   | 1    |
| 16  | CLUTCH RELEASE ARM                | PALANQUETA EMBRAGUE TR280I 2011                |     | 2440020211   | 18   |
| 17  | GEAR FORK 1st-4th                 | HORQUILLA 1-4 TR280I 2011                      |     | 8210020211   | 1    |
| 18  | GEAR FORK 5th-6th                 | HORQUILLA 5-6 TR280I 2011                      |     | 8230020211   | 1    |
| 19  | M6 NUT                            | TUERCA M6 AUTOBLOCANTE PASO 100                |     | 0610KI       | 1    |
| 20  | SHIFT SHAFT ADJUSTING SPRING      | REGULADOR MUELLE SELECTOR TR280I 2011          |     | 4410020211   | 1    |
| 21  | SHIFT SHAFT SPRING                | MUELLE EJE SELECTOR TR280I 2011                |     | 8115020211   | 1    |
| 22  | WASHER                            | ARANDELA 10X24X0.5                             |     | 102405NA     | 1    |
| 23  | GEAR SELECTOR SPRING              | MUELLE FIJADOR MARCHAS TR280I 2011             |     | 8130020211   | 1    |
| 24  | SHIFT SHAFT ASSY                  | CONJUNTO EJE SELECTOR TR280I 2011              |     | 8100020211   | 1    |
| 25  | GEAR SELECTOR                     | FIJADOR MARCHAS TR280I 2011                    |     | 8120020211   | 2    |
| 26  | WASHER                            | ARANDELA 5X16X1                                |     | 051601NA     | 1    |
| 27  | M5x25 TORX                        | TORX 5X25 PASO 0.8 INOX.                       |     | 052508AA     | 1    |
| 28  | WASHER                            | ARANDELA 12X24X0.5                             |     | 122405NA     | 1    |
| 29  | WASHER                            | ARANDELA 12X18X0.5                             |     | 121805NA     | 1    |
| 30  | GEAR SELECTOR + DRUM ASSY         | CONJUNTO SELECTOR + TAMBOR                     |     | 8000020211   | 1    |
| 31  | SHIFT DRUM ASSY                   | CONJUNTO TAMBOR SELECTOR                       |     | 8400020211   | 1    |
| 32  | GEAR SHAFT OIL SEAL               | RETEN DOBLE LABIO 12X20X5                      |     | 122005SB     | 1    |
| 33  | M5x20 TORX                        | TORX 5X20 PASO 0.8 INOX.                       |     | 052008AA     | 1    |
| 34  | GEAR PEDAL                        | PALANCA DE CAMBIO TR280I 2011                  |     | 8510020211   | 1    |
| 35  | PREASSEMBLED AND ADJUSTED GEARBOX | CAMBIO COMPLETO                                |     | 4000080214   | 1    |

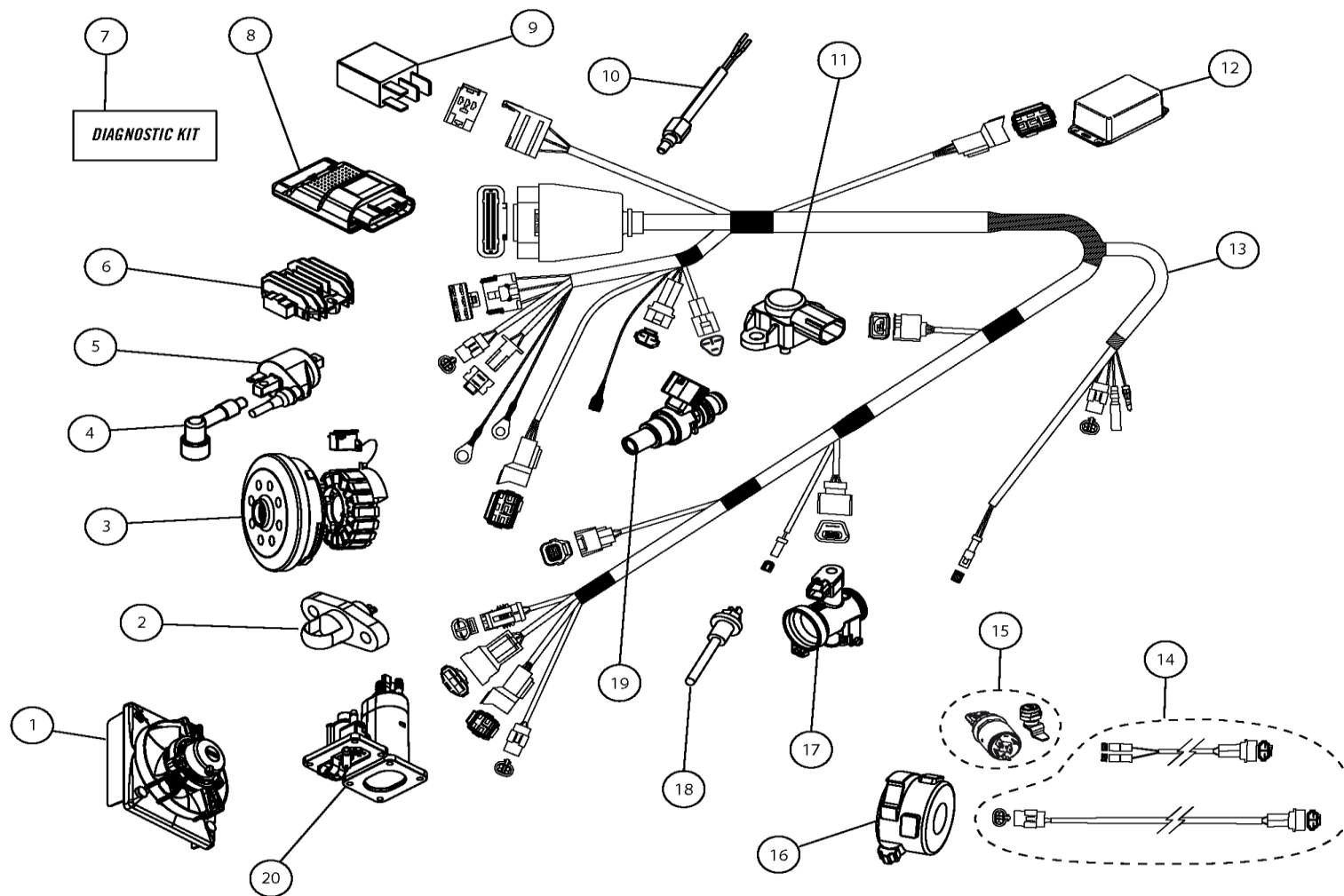


| num | description                | descripción               | 250 | 280        | cant |
|-----|----------------------------|---------------------------|-----|------------|------|
| 36  | FORK SHAFT                 | EJE HORQUILLA TR280I 2011 |     | 8310020211 | 2    |
| 37  | GEAR FORK 2nd-3rd          | HORQUILLA 2-3 TR280I 2011 |     | 8220020211 | 1    |
| 38  | PRIMARY SHAFT LOCKER SHAFT | EJE FIJACION CAMBIO TR14  |     | 1600020214 | 1    |

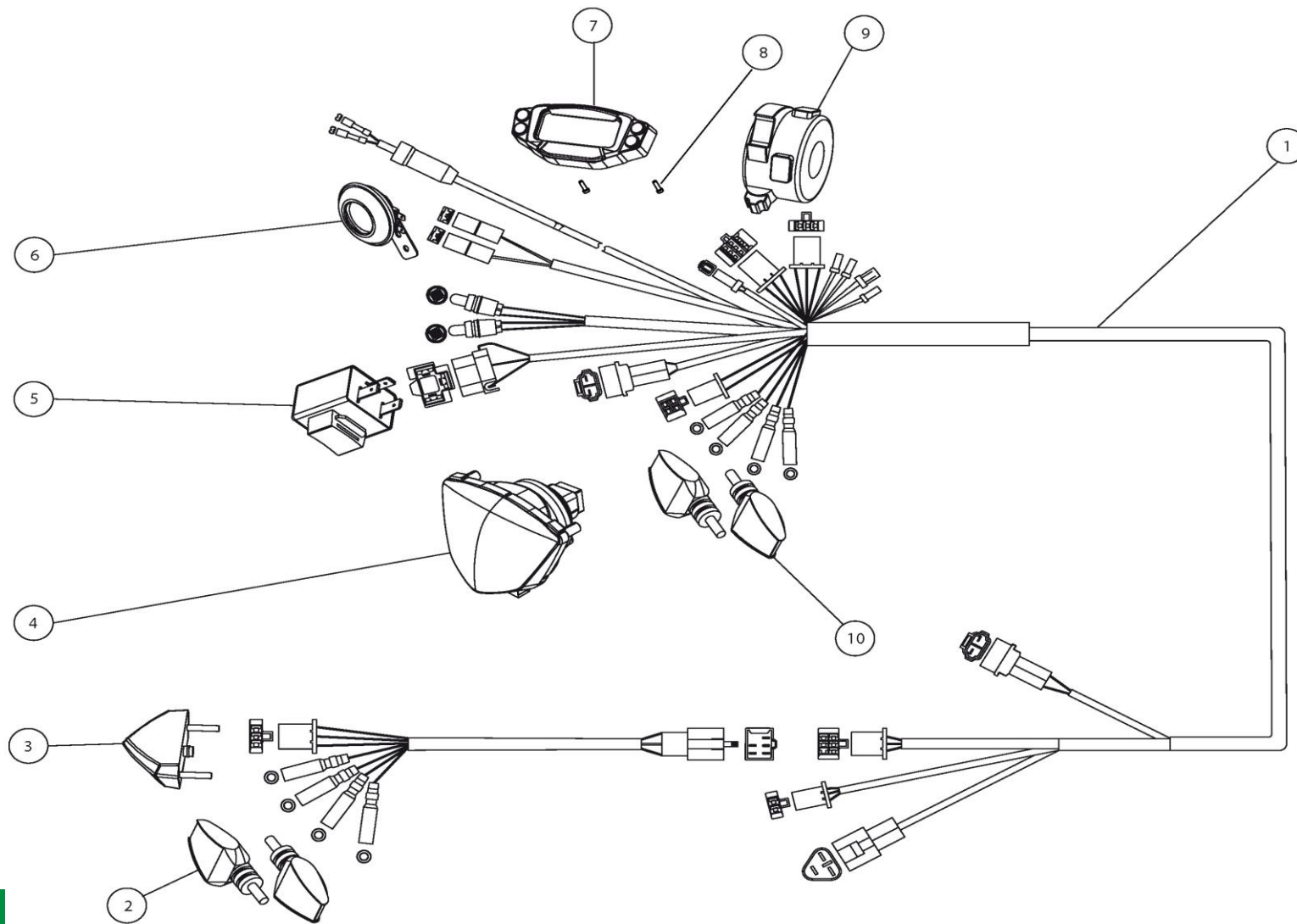


| num | description                | descripción                             | 250 | 280        | cant |
|-----|----------------------------|---|-----|------------|------|
| 1   | BEARING PLATE              | BOLET EMBRAGUE TR280I 2014              |     | 2610020214 | 1    |
| 2   | BEARING                    | RODAMIENTO AXIAL 17X30X2                |     | 173002RA   | 1    |
| 3   | CLUTCH PUMP PISTON         | PISTON BOMBIN EMBRAGUE TR280I 2011      |     | 2620020211 | 1    |
| 4   | CLUTCH PISTON SPRING       | MUELLE PISTON EMBRAGUE TR280I 2011      |     | 2630020211 | 1    |
| 5   | CLUTCH PISTON SPRING GUIDE | GUIA MUELLE PISTON EMBRAGUE TR280I 2011 |     | 2640020211 | 1    |
| 6   | O-RING NBR                 | JUNTA TÓRICA NBR                        |     | 1251500TC  | 2    |
| 7   | CLUTCH COVER GASKET        | JUNTA TAPA EMBRAGUE TR280I              |     | 9520020211 | 1    |
| 8   | WASHER                     | ARANDELA COBRE D.12X18X2                |     | 121802NF   | 1    |
| 9   | OIL DRAINING BOLT          | TAPON LLENADO ACEITE TR280I 2011        |     | 1310020211 | 1    |
| 10  | OIL WINDOW                 | MIRILLA VISOR ACEITE                    |     | 2530020211 | 1    |
| 11  | KICKSTART PEDAL            | PALANCA ARRANQUE TR 280I 2012           |     | 7410020212 | 1    |
| 12  | M5x25 TORX                 | TORX 5X25 PASO 0.8 INOX.                |     | 052508AA   | 4    |
| 13  | M5x30 TORX                 | TORX 5X30 PASO 0.8 INOX.                |     | 053008AA   | 2    |
| 14  | KICKSTART BALL             | BOLA PALANCA ARRANQUE TR280I 2011       |     | 7440020211 | 1    |
| 15  | KICKSTART PEDAL SPRING     | MUELLE PALANCA ARRANQUE TR280I 2011     |     | 7430020211 | 1    |
| 16  | M5x12 TORX                 | TORX 5X12 PASO 0.8 INOX.                |     | 051208AA   | 2    |
| 17  | KICKSTART PEDAL BUSHING    | CASQUILLO PALANCA ARRANQUE TR280I 2011  |     | 7420020211 | 2    |
| 18  | KICKSTART SHAFT            | EJE ARRANQUE TR280I 2012                |     | 7110020212 | 1    |
| 19  | SEALING NBR 18x24x4        | RETEN NBR 18X24X4                       |     | 182404SA   | 1    |
| 20  | CLUTCH COVER               | TAPA EMBRAGUE TR280I 2012               |     | 2500020212 | 1    |
| 21  | WASHER                     | ARANDELA 18X40X0.5                      |     | 184005NA   | 1    |
| 22  | CENTERING PING             | AGUJA 5X20                              |     | 0520MA     | 1    |
| 23  | PEDAL KICKSTART SPRING     | MUELLE ARRANQUE TR280I 2011             |     | 7140020211 | 1    |
| 24  | KICKSTART SPRING BUSHING   | CASQUILLO ARRANQUE TR280I 2011          |     | 7130020211 | 1    |
| 25  | KICKSTART SHAFT CLIP       | CIRCLIP EJE ARRANQUE                    |     | 7150020211 | 2    |
| 26  | KICKSTART GEAR             | PIÑON ARRANQUE TR280I 2011              |     | 7310020211 | 1    |
| 27  | FRICION KICKSTART SPRING   | MUELLE FRICCION ARRANQUE TR280I 2011    |     | 7320020211 | 1    |
| 28  | WASHER                     | ARANDELA 12X24X0.5                      |     | 122405NA   | 1    |

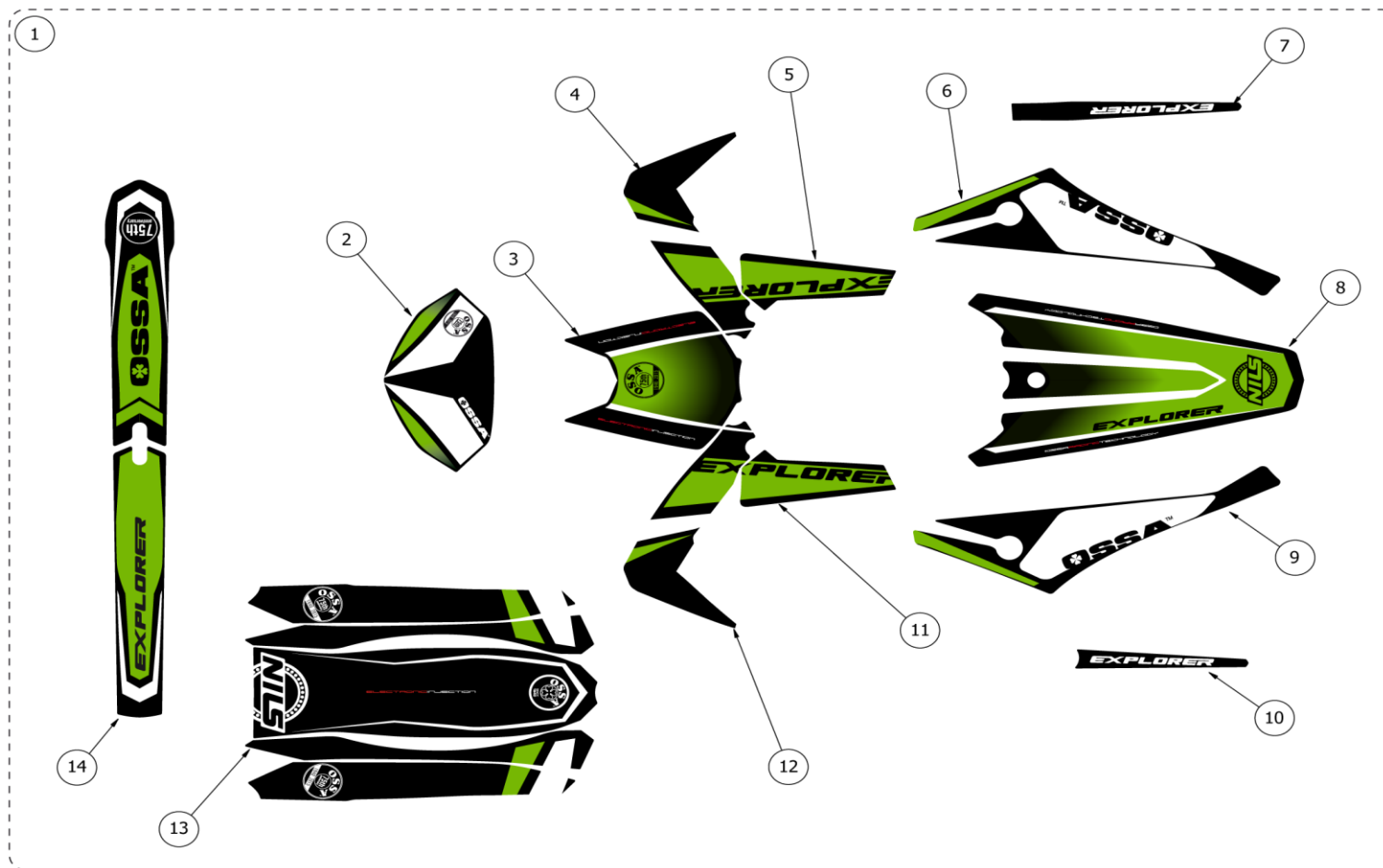




| num | description                       | descripción                         | 250 | 280        | cant |
|-----|-----------------------------------|-------------------------------------|-----|------------|------|
| 1   | ELECTRIC FAN                      | VENTILADOR TR280I 2011              |     | 9100030211 | 1    |
| 2   | INTAKE AIR TEMPERATURE SENSOR     | SENSOR TEMPERATURA AIRE TR280I 2011 |     | 9250030211 | 1    |
| 3   | ACG SET                           | CTO. ROTOR Y STATOR TR280I 2011     |     | 7100030211 | 1    |
| 4   | SPARK PLUG CAP                    | PIPA BUJIA TR280I 2011              |     | 5020030211 | 1    |
| 5   | IGNITION COIL                     | BOBINA TR280I 2011                  |     | 5000030211 | 1    |
| 6   | REGULATOR                         | REGULADOR TR280I 2011               |     | 5100030211 | 1    |
| 7   | DIAGNOSTICS KIT TR280i            | KIT DIAGNOSIS TR280I                |     | 9900030211 | 1    |
| 8   | ECU                               | ECU                                 |     | 5200030212 | 1    |
| 9   | FAN RELAY                         | RELÉ VENTILADOR TR280I 2011         |     | 9110030211 | 1    |
| 10  | ENGINE COOLANT TEMPERATURE SENSOR | SENSOR TEMPERATURA AGUA TR280I 2011 |     | 9200030211 | 1    |
| 11  | AIR PRESSURE SENSOR               | SENSOR PRESION DE AIRE TR280I 2011  |     | 9260030211 | 1    |
| 12  | EASY START SYSTEM                 | SUPLEMENTO INST. ARRANQUE           |     | 1160030214 | 1    |
| 13  | MAIN HARNESS                      | INSTALACION INYECCION TR280I-14     |     | 1100030214 | 1    |
| 14  | WIRING EXTENSION                  | EXTENSIÓN INSTALACIÓN               |     | 1105030514 | 1    |
| 15  | KEY SWITCH                        |                                     |     | 6400030512 | 1    |
| 16  | LIGHT HORN SWITCH                 | CONMUTADOR LUCES TR280I 2011        |     | 2400030211 | 1    |
| 17  | THROTTLE BODY ASSY                | CUERPO DE GAS TR280I 2011           |     | 9000010211 | 1    |
| 18  | FUEL LEVEL SENSOR                 | SENSOR GASOLINA TR280I 2011         |     | 8510030211 | 1    |
| 19  | INJECTOR                          | INYECTOR TR280I 2011                |     | 9110010211 | 1    |
| 20  | FUEL PUMP ASSY                    | CTO. BOMBA DE GASOLINA TR280I 2011  |     | 8500030211 | 1    |



| num | description             | descripción                                    | 250 | 280        | cant |
|-----|-------------------------|--|-----|------------|------|
| 1   | LIGHT WIRING            | INSTALACION LUCES TR280I 2014                  |     | 1200030214 | 1    |
| 2   | INDICATOR A             | INTERMITENTE A TR280I 2011                     |     | 2300030211 | 2    |
| 3   | TAIL LIGHT              | PILOTO TRASERO                                 |     | 3100030512 | 1    |
| 4   | LAMP                    | OPTICA TR280I 2011                             |     | 2100030211 | 1    |
| 5   | TURN BOX                | CAJA INTERMITENCIA TR280I 2011                 |     | 2360030211 | 1    |
| 6   | HORN                    | CLAXON TR280I 2011                             |     | 6200030211 | 1    |
| 7   | LIGHT HORN SWITCH       | CONMUTADOR LUCES TR280I 2011                   |     | 2400030211 | 1    |
| 8   | TRAILTECH MULTIFUNCTION | MULTIFUNCION TR280I 2011                       |     | 6000030211 | 1    |
| 9   | SCREW                   | TORX 4X10 PASO 0.7 CAB. ABOMBADA ECO FIX INOX. |     | 041007BC   | 2    |
| 10  | INDICATOR B             | INTERMITENTE B TR280I 2011                     |     | 2350030211 | 2    |



| num | description                            | descripción                        | 250 | 280             | cant |
|-----|--|------------------------------------|-----|-----------------|------|
| 1   | EXPLORER 2015 DECALS                   | CTO. ADHESIVOS COMPL.EXPLORER 2015 |     | BT95000CT-DJM-1 | 1    |
| 2   | HEADLIGHT STICKER EX15                 | ADHES. FARO EX15                   |     | BT95020OS-DJM-1 | 1    |
| 3   | LOWER FUEL TANK STICKER EX15           | ADHES. DEPOSITO SUPERIOR EX15      |     | BT95240OS-DJM-1 | 1    |
| 4   | RIGHT SHROUD PANNEL UPPER STICKER EX15 | ADHES. ALETA DERECHA SUP EX15      |     | BT95040OS-DJM-1 | 1    |
| 5   | RIGHT SHROUD PANNEL LOWER STICKER EX15 | ADHES. ALETA DERECHA INF EX15      |     | BT95035OS-DJM-1 | 1    |
| 6   | RIGHT REAR NUMBER PLATE STICKER EX15   | ADHES. PORTANUMEROS DERECHA EX15   |     | BT95110OS-DJM-1 | 1    |
| 7   | RIGHT SWING ARM STICKER EX15           | ADHES. BASCULANTE DERECHA EX15     |     | BT95145OS-DJM-1 | 1    |
| 8   | RER FENDER STICKERS EX15               | ADHES. GUARDABARROS TRASERO EX15   |     | BT95120CT-DJM-1 | 1    |
| 9   | LEFT REAR NUMBER PLATE STICKER EX15    | ADHES. PORTANUMEROS IZQUIERDA EX15 |     | BT95115OS-DJM-1 | 1    |
| 10  | RIGHT SWING ARM STICKER EX15           | ADHES. BASCULANTE IZQUIERDA EX15   |     | BT95150OS-DJM-1 | 1    |
| 11  | RIGHT SHROUD PANNEL LOWER STICKER EX15 | ADHES. ALETA IZQUIERDA INF EX15    |     | BT95065OS-DJM-1 | 1    |
| 12  | RIGHT SHROUD PANNEL UPPER STICKER EX15 | ADHES. ALETA IZQUIERDA SUP EX15    |     | BT95070OS-DJM-1 | 1    |
| 13  | LOWER FUEL TANK STICKERS EX15          | ADHES. DEPOSITO INFERIOR EX15      |     | BT95190CT-DJM-1 | 1    |
| 14  | FRONT FENDER STICKERS EX15             | ADHES. GUARDABARROS DELANTERO EX15 |     | BT95001OS-DJM-1 | 1    |